

I. STANDARD VERTICAL TANK SIZE AND DIMENSIONS	
ITEM	DATA
GALLON CAPACITY APPROX.	
DIAMETER SHELL	
L1 SHELL LENGTH	
L2 HEIGHT WITH HEADS	
L3 HEIGHT WITH LEGS	
SHELL THICKNESS	
HEAD THICKNESS	
A.S.M.E WORKING PRESSURE	
APPROX. TANK WEIGHT	
SPECIAL LINING REQUIRED	
NATIONAL BOARD REGISTERED	YES

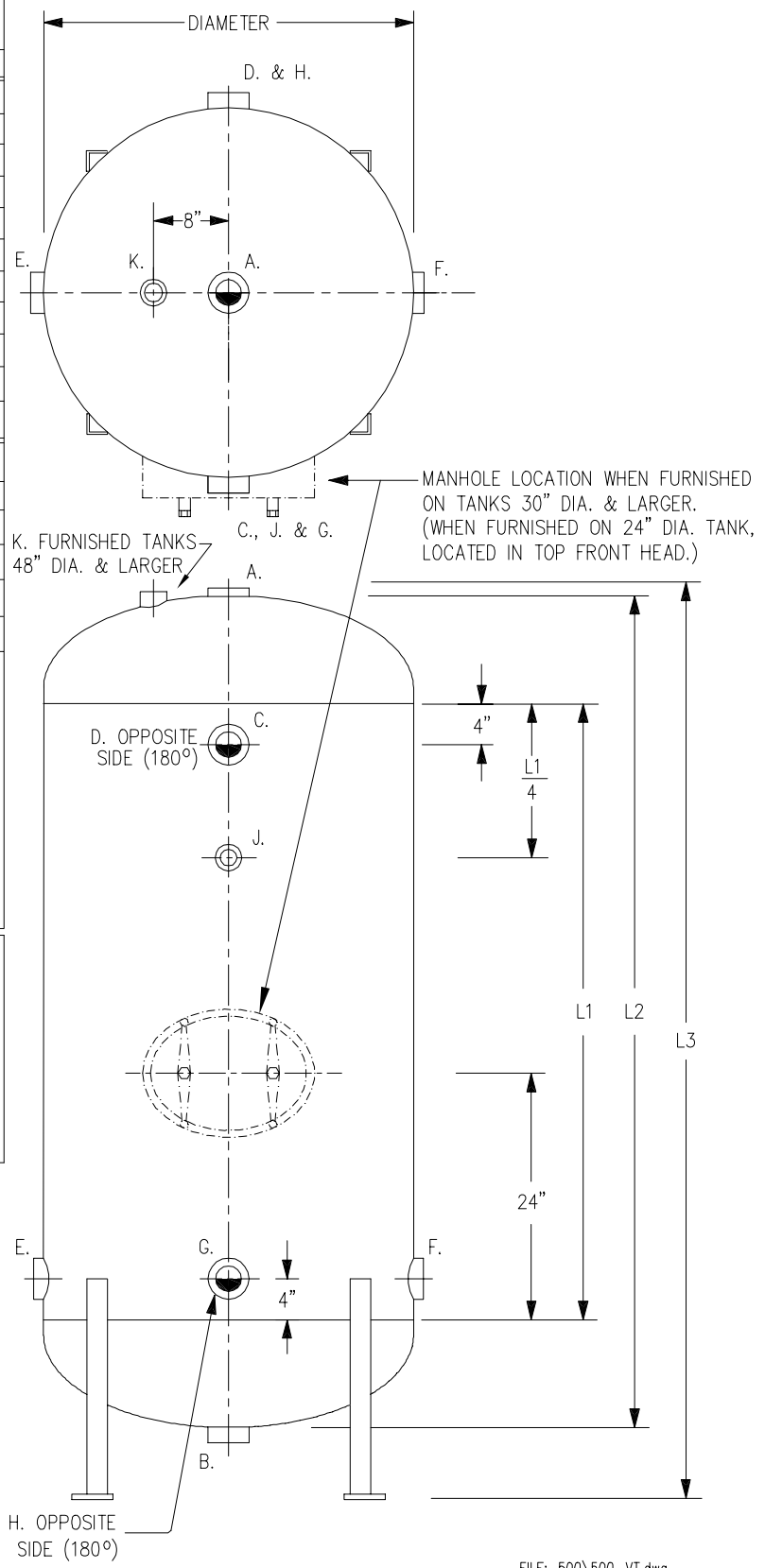
II. STANDARD OPENING SIZES				
OPENINGS	TANK DIAMETER SIZE IN.			
	12-16	18-42	48-60	72
A.-H.	1-1/2"	2"	2-1/2"	3"
J.	3/4"	3/4"	3/4"	3/4"
K.	N/F	NF	1-1/2"	1-1/2"

MANHOLE - (12 X 16")

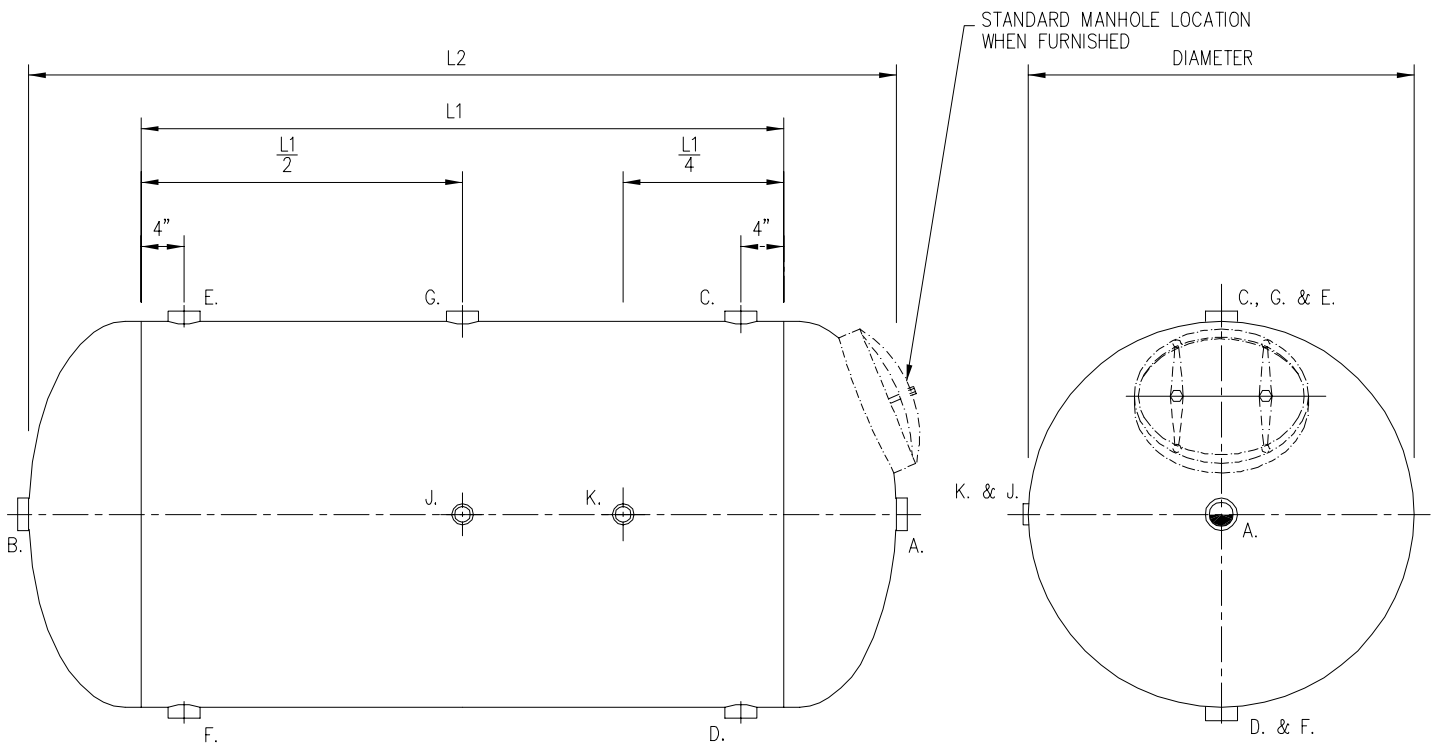
- STANDARD ON ALL A.S.M.E. TANKS 42" DIAMETER AND LARGER.
- REQUIRED ON ALL SIZE TANKS WITH SPECIAL LINING.
- AVAILABLE ONLY ON TANKS 24" DIAMETER AND LARGER.

NOTE:
IF TANK NOT STANDARD WITH ABOVE OPENINGS AND PRICE SHEET, MARK CORRECT DIMENSIONS AND RETURN DRAWING WITH ORDER.

SEE SPEC SHEET D-500 FOR STANDARD DIMENSIONS.



USED ON		PARKER A.S.M.E. VERTICAL STORAGE TANK		PART NAME		STANDARD DIMENSIONS	
FOR							
DR.	MHB	DATE	0E2	PARKER BOILER co. 5930 BANDINI BLVD. LOS ANGELES, CALIF. 90040		SCALE	NONE
CH.						SUPERCEDES NO.	1/79
APPROVED						DWG. NO.	A-500-VT



I. HORIZONTAL TANK SIZE AND DIMENSIONS				
ITEM	DATA			
GALLON CAPACITY APPROX.				
DIAMETER SHELL				
L1 SHELL LENGTH				
L2 LENGTH OVERALL WITH HEADS				
SHELL THICKNESS				
HEAD THICKNESS				
A.S.M.E WORKING PRESSURE				
APPROX. TANK WEIGHT				
SPECIAL LINING REQUIRED				
NATIONAL BOARD REGISTERED	YES			
II. STANDARD OPENING SIZES				
OPENINGS	TANK DIAMETER SIZE IN.			
	12-16	18-42	48-60	72
A.-G.	1-1/2"	2"	2-1/2"	3"
J. & K.	3/4"	3/4"	3/4"	3/4"
<u>MANHOLE - (12 X 16")</u> 1. STANDARD ON ALL A.S.M.E. TANKS 42" DIAMETER AND LARGER. 2. REQUIRED ON ALL SIZE TANKS WITH SPECIAL LINING. 3. AVAILABLE ONLY ON TANKS 24" DIAMETER AND LARGER.				

NOTE:

IF TANK NOT STANDARD WITH ABOVE OPENINGS AND PRICE SHEET, MARK CORRECT DIMENSIONS AND RETURN DRAWING WITH ORDER.

SEE SPEC SHEET D-500 FOR STANDARD DIMENSIONS.

FILE: 500\500-HT.dwg

USED ON PARKER A.S.M.E. HORIZ. STORAGE TANK		PART NAME STANDARD DIMENSIONS	
FOR			
DR. MHB	DATE 0E2	PARKER BOILER co. 5930 BANDINI BLVD. LOS ANGELES, CALIF. 90040	SCALE NONE
CH.			SUPERCEDES NO. 1/79
APPROVED			DWG. NO. A-500-HT