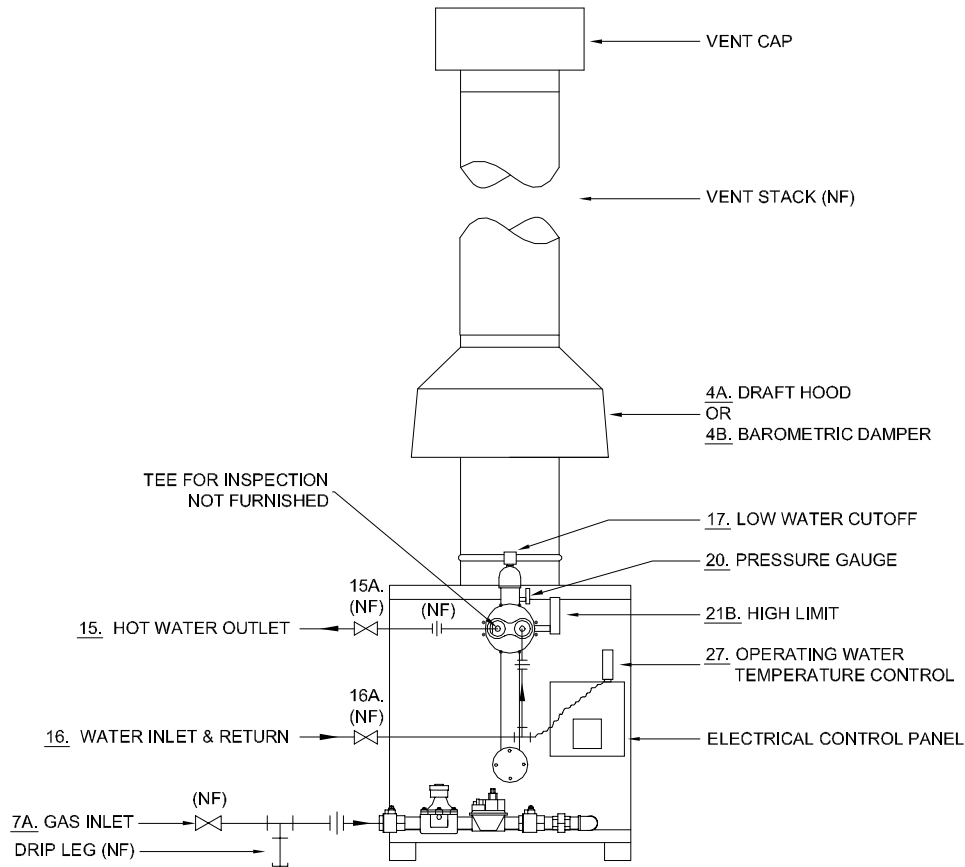
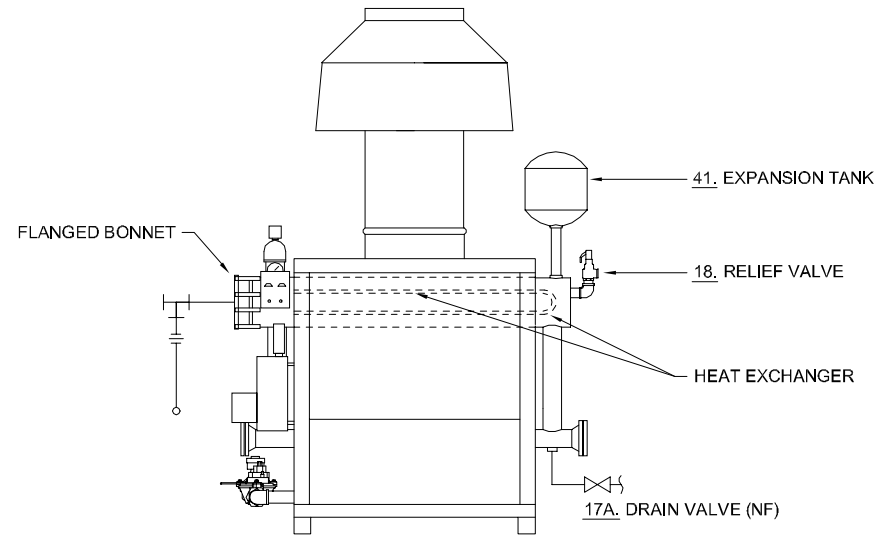


PARKER INDIRECT GAS FIRED WATER HEATERS INSTALLATION DRAWING



PARKER INDIRECT WATER HEATER - FRONT VIEW



SIDE VIEW

IMPORTANT INSTRUCTIONS:

1. HOT WATER INLET 16. AND OUTLET 15. MAY BE REVERSED ON HEAT EXCHANGER FOR PIPING CONVENIENCE.
2. SHUTOFF VALVES 15A. AND 16A. (NF) ARE RECOMMENDED AS SHOWN SO THE PUMP OR THE EXCHANGER CAN BE SERVICED WITHOUT DRAINING THE SYSTEM.
3. ALLOW CABINET WIDTH PLUS 10" IN FRONT OF HEAT EXCHANGER AND INSTALL UNION CONNECTIONS IN CIRCULATING LINES FOR EASY REMOVAL OF EXCHANGER.
4. MAKE CERTAIN THAT THE WATER IN HEATER IS AT PROPER LEVEL TO AT LEAST THE TOP OF PRESSURE GAUGE OPENING BEFORE ATTEMPTING TO OPERATE.

- |—|— SHUTOFF VALVE
- |— TEE
- |— UNION
- (NF) NOT FURNISHED

USED ON		WH-300 TO WH-3000 INDIRECT HEATER	PART NAME		INSTALLATION DRAWING	INST210.DWG	
FOR							
PARKER INDIRECT GAS FIRED WATER HEATERS							
DR.	RPC	DATE	9D	PARKER BOILER CO. 5930 BANDINI BLVD. LOS ANGELES, CALIF. 90040		SCALE	NO SCALE
CH.						SUPERCEDES NO.	12/75
APPROVED						DWG. NO.	210 INST 1