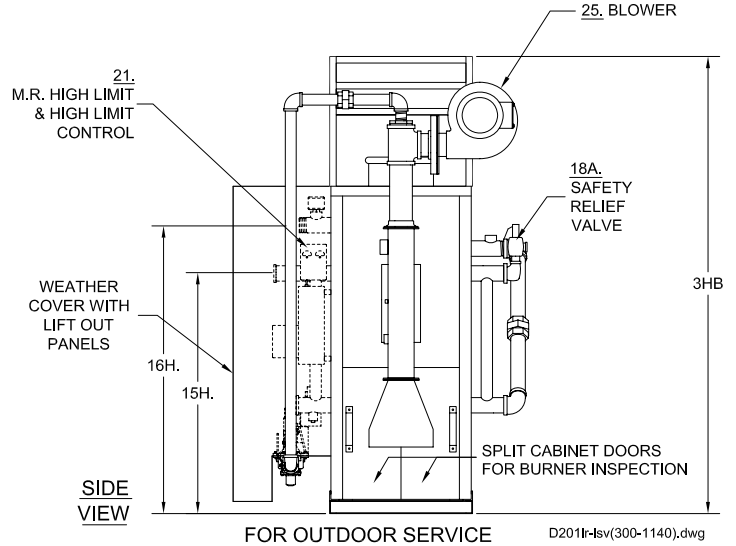
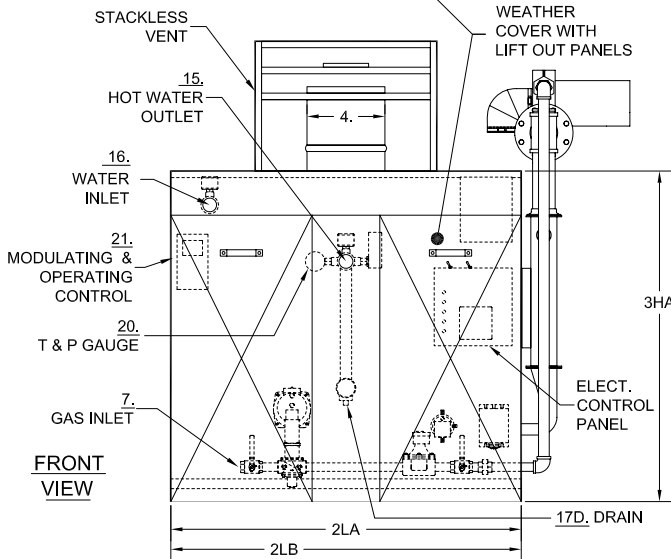
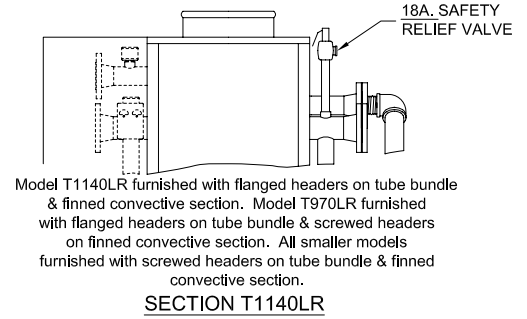
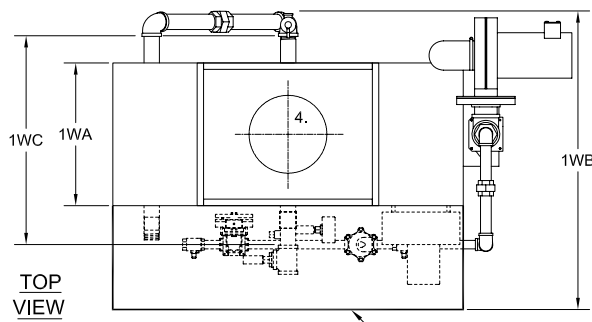


PARKER HIGH EFFICIENCY, LOW NO<sub>x</sub> DIRECT FIRED HOT WATER BOILERS  
 T300LR - T1140LR - VFD PREMIX BLOWER GAS FIRED W/ FINNED CONVECTIVE  
 SECTION, OUTDOOR SERVICE, & STACKLESS VENT

SPEC. SHEET  
 D-201LR-ISV  
 OK8



NO.		MODEL NO.	T300LR	T395LR	T490LR	T600LR	T760LR	T970LR	T1140LR	
A	BTU Input	1000's BTU/HR.	300	395	490	600	760	970	1140	
B	BTU Output	1000's BTU/HR.	240	316	392	480	608	776	912	
C	Heating Surface	SQ. FT.	40.5	67	67	77	106	120	133	
1WA	Width of Cabinet Only	IN.	16	22	22	22	22	26	26	
1WB	Width Overall Including Controls	IN.	31	37	39	39	39	48	48	
1WC	Minimum Header Width - Less Fittings (Blind Flanges on T970 & T1140)	IN.	28	34	34	34	34	41	41	
2LA	Length of Cabinet Only	IN.	39	35	35	40	54	49	54	
2LB	Length Overall	IN.	45	41	41	46	60	55	60	
3HA	Height of Cabinet Only	IN.	46	51	51	51	51	51	51	
3HB	Height Overall Including Stackless Vent	IN.	71	76	76	76	76	76	76	
4	Vent Stack Diameter	IN.	8	10	10	10	10	12	14	
7A	Std. Nat. Gas Inlet Size (Inlet Press.: 7" W.C. Min. 14" W.C. Max.)	IN.	3/4	3/4	1	1	1	1-1/2	1-1/2	
7A1	Std. LPG Gas Inlet Size (Inlet Press.: 11" W.C. Min. 14" W.C. Max.)	IN.	3/4	3/4	1	1	1	1-1/2	1-1/2	
7B	Hi Press. Nat. & Propane Gas Inlet Size/Supply Press. 1-5 PSI	IN.	3/4	3/4	3/4	3/4	3/4	1-1/2	1-1/2	
15	Hot Water Outlet Size (NPT Except * T970 & T1140 Class 150 Flanged)	IN.	1-1/2	2	2	2	2	3*	3*	
15H	Hot Water Outlet Height From Floor	IN.	32	37	37	37	37	37	37	
16	Water Inlet Size (NPT Except *T1140 Class 150 Flanged)	IN.	1-1/2	2	2	2	2	2	3*	
16H	Water Inlet Height From Floor	IN.	39	44	44	44	44	44	44	
17D	Drain Opening(s) (T970 & T1140 1" Inlet Side of Boiler)	Outlet Side IN.	3/4	1	1	1	1	1	1-1/4	
18AHP	Safety Relief Valve Drain Size- 125 PSI, 250°F, "H" Code	OUTLET IN.	3/4	3/4	3/4	3/4	3/4	3/4	3/4	
18ALP	Safety Relief Valve Drain Size- 30 PSI, 250°F, "H" Code	OUTLET IN.	3/4	1	1	1	1-1/4	1-1/4	1-1/2	
24	Power Specifications		(1) 115V- 1 Phase							
24B	Controls\ (1Ph, 60Hz)	AMPS	5 AMPS							
25	Blower HP Max. **	HP	1/2							1 or (0.5)
J	Water Capacity	GAL.	6.5	10	10	11	16	19	21	
K	Net Weight of Boiler	LBS.	727	1107	1107	1296	1560	1738	1940	
L	Domestic Crated Shipping Weight of Boiler	LBS.	827	1232	1232	1436	1710	1893	2100	

MINIMUM LISTED CLEARANCES TO COBUSTIBLE CONSTRUCTION:	12" Cabinet Sides & Rear	48" Cabinet Top	6" Draft Hood Vent Connector	12" Baro. Damper Chimney Connector
Recommended Clearances for Access: Inspection Doors 18"; Controls 24"; Electrical Panel 30", 3ph (36"); Additional space may be required by Local Codes				

Notes: All of the above dimensions are for a standard trim model. Due to continuous improvement, specifications are subject to change without notice.  
 \*\* - Actual Amp draw is less.