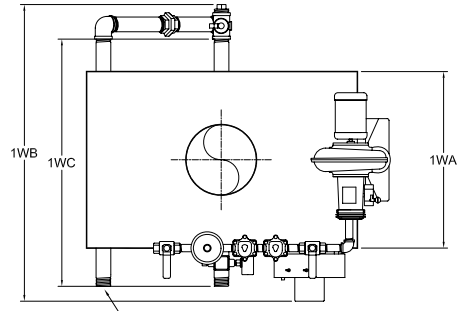
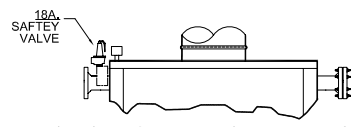


PARKER HIGH EFFICIENCY, LOW NOx DIRECT FIRED HOT WATER BOILERS  
T300LR TO T1140LR - PREMIX BLOWER GAS FIRED  
W / FINNED CONVECTIVE SECTION

SPEC. SHEET  
D-201LR  
OC9



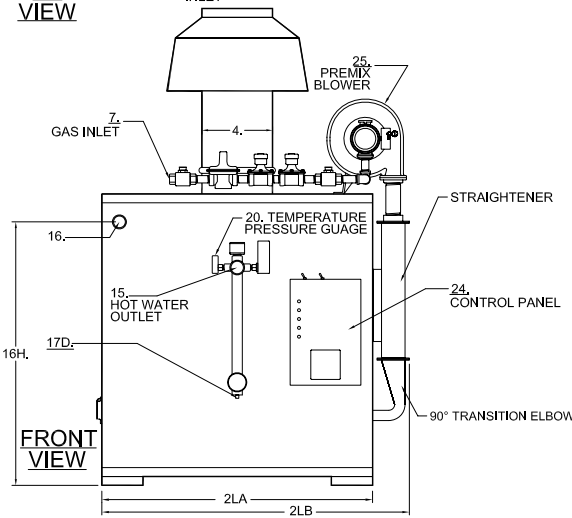
TOP VIEW



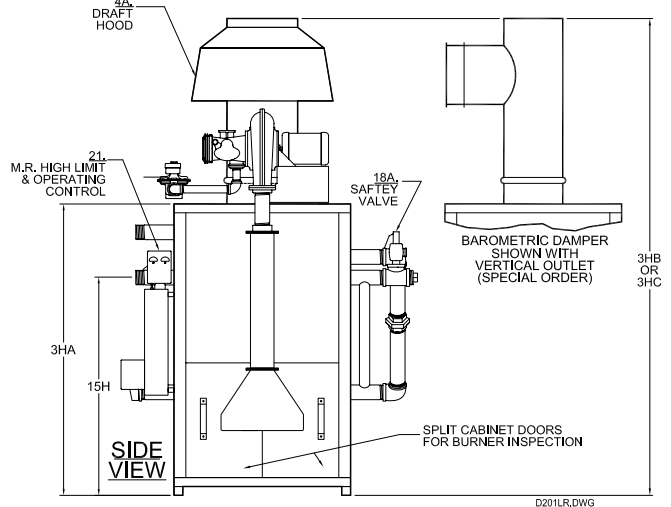
MODELS T970 & T1140 FURNISHED WITH FLANGED HEADERS AND SAFETY RELIEF VALVE AT HOT WATER OUTLET. ALL SMALLER MODELS FURNISHED WITH SCREWED HEADERS AND SAFETY RELIEF VALVE AT REAR.

SECTION T970 & T1140

MINIMUM LISTED CLEARANCES TO COMBUSTIBLE CONSTRUCTION:	
TYPE	LENGTH (IN)
CABINET SIDES & REAR	12
CABINET TOP	48
DRAFT HOOD VENT CONNECTOR	6
BARO. DAMPER CHIMNEY CONNECTOR	12
RECOMMENDED CLEARANCES FOR ACCESS:	
TYPE	LENGTH (IN)
INSPECTION DOORS	18
FRONT	30
FRONT FOR 3Ph	36
ADDITIONAL SPACE MAY BE REQUIRED BY LOCAL CODES	



FRONT VIEW



SIDE VIEW

NO.		MODEL NO.	T300LR	T395LR	T490LR	T600LR	T760LR	T970LR	T1140LR
A	BTU Input	1000's BTU/HR.	300	395	490	600	760	970	1140
B	BTU Output	1000's BTU/HR.	252	332	412	504	638	815	958
C	Heating Surface	SQ. FT.	68.5	104	104	114	175	203	217
1WA	Width of Cabinet Only	IN.	16	22	22	22	22	26	26
1WB	Width Overall Including Controls	IN.	34	40	40	40	41	44	54
1WC	Minimum Header Width - Less Fittings (Blind Flanges on T970 & T1140)	IN.	28	34	34	34	34	41	41
2LA	Length of Cabinet Only	IN.	39	35	35	40	54	49	54
2LB	Length Overall	IN.	45	41	41	46	60	55	60
3HA	Height of Cabinet Only	IN.	46	51	51	51	51	51	51
3HA1	Height of Blower w/ Mod. Motor Above Cabinet (Approx.)**	IN.	24	25	25	25	25	26	27
3HB	Height Overall Including Draft Hood - (Standard)	IN.	75	82	82	83	83	85	87
3HC	Height Overall Including Barometric damper (Vert. Outlet/Horiz Outlet)-(Special Order)	IN.	64/62	69/67	69/67	69/67	72/69	72/69	76/72
4A	Vent Stack Diameter with Draft Hood - ( Standard)	IN.	8	10	10	10	10	12	14
4B	Vent Stack Diameter with Barometric Damper - (Special Order)	IN.	8	8	8	8	10	10	12
7A	Std. Nat. Gas Inlet Size (Inlet Press.: 7" W.C. Min. 14" W.C. Max.)	IN.	3/4	3/4	1	1	1	1-1/2	1-1/2
7A1	Std. LPG Gas Inlet Size (Inlet Press.: 11" W.C. Min. 14" W.C. Max.)	IN.	3/4	3/4	1	1	1	1-1/2	1-1/2
7B	Hi Press. Nat. & Propane Gas Inlet Size / Supply Press. 1-5 PSI	IN.	3/4	3/4	3/4	3/4	3/4	1-1/2	1-1/2
15	Hot Water Outlet Size (NPT Except * T970 & T1140 Class 150 Flanged)	IN.	1-1/2	2	2	2	2	3*	3*
15H	Hot Water Outlet Height From Floor	IN.	32	37	37	37	37	37	37
16	Water Inlet Size (NPT Except * T970 & T1140 Class 150 Flanged)	IN.	1-1/2	2	2	2	2	3*	3*
16H	Water Inlet Height From Floor	IN.	37	44	44	44	44	44	44
17D	Drain Opening(s) (T970 & T1140 1" Inlet Side of Boiler)	Outlet Side IN.	3/4	1	1	1	1	1	1-1/4
18AHP	Safety Relief Valve Drain Size- 125 PSI, 250°F, "H" Code	OUTLET IN.	3/4	3/4	3/4	3/4	3/4	3/4	3/4
18ALP	Safety Relief Valve Drain Size- 30 PSI, 250°F, "H" Code	OUTLET IN.	3/4	1	1	1	1-1/4	1-1/4	1-1/2
24	Power Specifications		(1) 115V- 1 Phase						
24B	Controls\ (1Ph, 60Hz)	AMPS	5 AMPS						
25	Blower HP Max. **	HP	1/2						
J	Water Capacity	GAL.	5.0	8.3	8.3	9.5	13	16	18
K	Net Weight of Boiler	LBS.	460	755	755	920	1190	1365	1500
L	Domestic Crated Shipping Weight of Boiler	LBS.	560	880	880	1060	1340	1520	1660

Notes: All of the above dimensions are for a standard trim model. Due to continuous improvement, specifications are subject to change without notice.  
\*\* - Actual Amp draw is less.