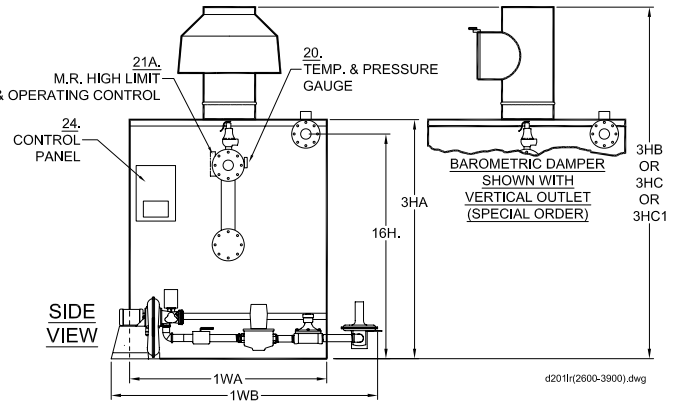
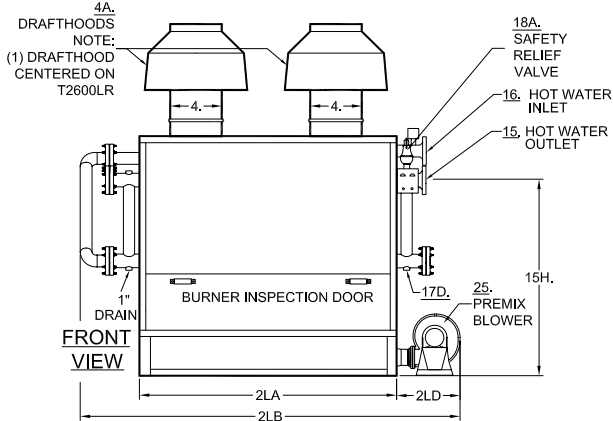
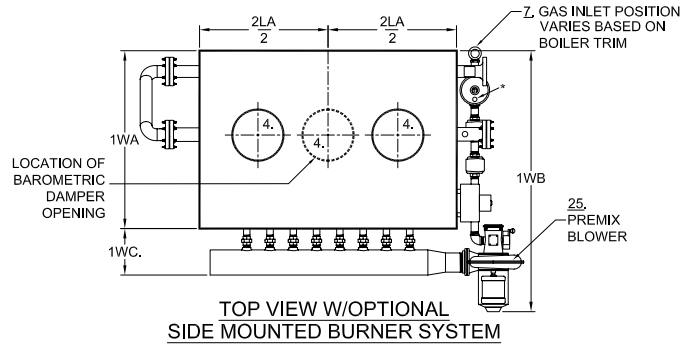
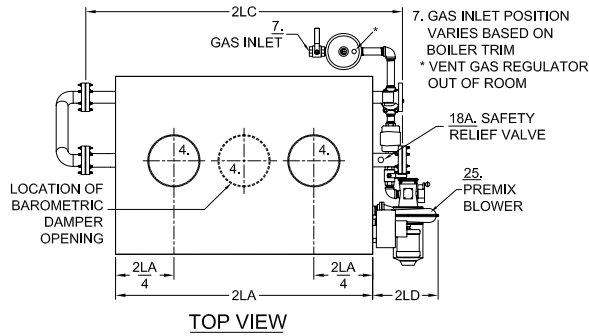


PARKER HIGH EFFICIENCY, LOW NOX DIRECT FIRED HOT WATER BOILERS  
T2600LR TO T3900LR - PREMIX BLOWER GAS FIRED  
W / FINNED CONVECTIVE SECTION

SPEC. SHEET  
D-201LR-I  
OK8



NO.		MODEL NO.	T2600LR	T2970LR	T3600LR	T3900LR
A	BTU Input	1000's BTU/HR.	2600	2970	3600	3900
B	BTU Output (84%)	1000's BTU/HR.	2184	2495	3024	3276
C	Heating Surface	SQ. FT.	494	576	666	807
1WA	Width of Cabinet Only	IN.	38	48	54	54
1WB	Width Overall Including Blower - (Bottom / Side Mounted)**	IN.	53 / 70	63 / 80	75 / 87	75 / 87
1WC	WIDTH of Premix Manifold Beyond Cabinet - (Side Mounted only)	IN.	19	19	19	19
2LA	Length of Cabinet Only	IN.	83	73	77	86
2LB	Length Overall (Bottom Mounted / Side Mounted)	IN.	123 / 123	115 / 115	126 / 123	135 / 132
2LC	Header Length less Blind Flanges	IN.	101	90	97	106
2LD	Length of Blower Beyond Cabinet (Bottom Mounted / Side Mounted)	IN.	24 / 24	24 / 24	27 / 24	27 / 24
3HA	Height of Cabinet Only (Bottom Mounted / Side Mounted)	IN.	71 / 66	71 / 66	72 / 68	72 / 68
3HB	Height Overall Including Draft Hood (Std) (Bottom Mounted / Side Mounted)	IN.	113 / 108	111 / 106	114 / 110	114 / 110
3HC	H.O.A. Inclu. Baro. Damper (Vert./Horiz. Outlet) (Spec. Order) (Bottom Mounted)	IN.	105 / 102	105 / 102	106 / 106	112 / 111
3HC1	H.O.A. Inclu. Baro. Damper (Vert./Horiz. Outlet) (Spec. Order) (Side Mounted)	IN.	100 / 97	100 / 97	102 / 102	108 / 107
4A	Vent Stack Diameter with Draft Hood(s)	IN.	20	(2) 16	(2) 18	(2) 18
4B	Vent Stack Diameter with Barometric Damper (Spec. Order)	IN.	18	18	20	22
7A	Std. Nat. Gas Inlet Size (Inlet Press.: 7" W.C. Min. 14" W.C. Max.)	IN.	2	2	2-1/2	2-1/2
	LPG Gas Inlet Size (Inlet Press.: 11" W.C. Min. 14" W.C. Max.)	IN.	2	2	NA	NA
7B	Std. High Press. Nat. Gas or High Press. LPG Gas Inlet Size / Supply Press. 1-5 PSI	IN.	1-1/2	1-1/2	1-1/2	1-1/2
15	Hot Water Outlet Size (CL. 150 FLANGED)	IN.	4	4	5	5
15H	Hot Water Outlet Height From Floor (Bottom Mounted / Side Mounted)	IN.	56 / 51	56 / 51	57 / 52	57 / 52
16	Water Inlet Size (CL. 150 FLANGED)	IN.	4	4	5	5
16H	Water Inlet Height From Floor (Bottom Mounted / Side Mounted)	IN.	66 / 59	66 / 59	66 / 60	66 / 60
17D	Drain Openings (1" Return Side of Boiler)	Outlet Side IN.	1-1/2	1-1/2	1-1/2	1-1/2
18AHP	Safety Relief Valve Size-125 PSI,250°F,"H" Code	OUTLET IN.	1-1/4	1-1/2	2	2
18ALP	Safety Relief Valve Size-30 PSI,250°F,"H" Code	OUTLET IN.	2	(2) 2	(2) 2-1/2	(2) 2-1/2
20A	Power Specifications	2 Power Services Reqd.: (1) 3 PH, & (1) 115V- 1 PH				
20B	Controls (115V- 1 Phase, 60 Cycle)	5 AMPS				
21	Blower HP (3 Phase, 60 Cycle) Max. ***	HP	1	2	3	
	Water Capacity	GAL.	63	71	90	103
	Net Weight of Boiler	LBS.	3900	4380	5231	6108
	Domestic Crated Shipping Weight of Boiler	LBS.	4250	4780	5656	6558

MINIMUM LISTED CLEARANCES TO COMBUSTIBLE CONSTRUCTION:	12"	48"	6"	12"
	Cabinet Sides & Rear	Cabinet Top	Draft Hood Vent Connector	Baro. Damper Chimney Connector

Recommended Clearances for Access: Inspection Doors 18"; Controls 24"; Electrical Panel 30", 3ph (36"); Additional space may be required by Local Codes  
\*\* Width & gas inlet position may vary based on boiler trim. Due to continuous improvement, specifications are subject to change without notice. \*\*\* - Actual Amp draw is less.