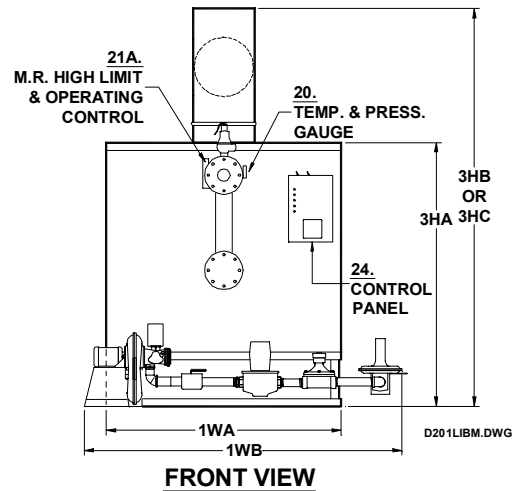
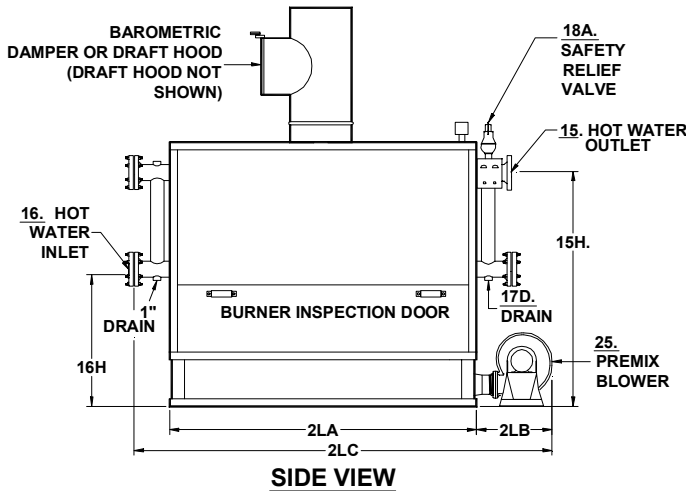
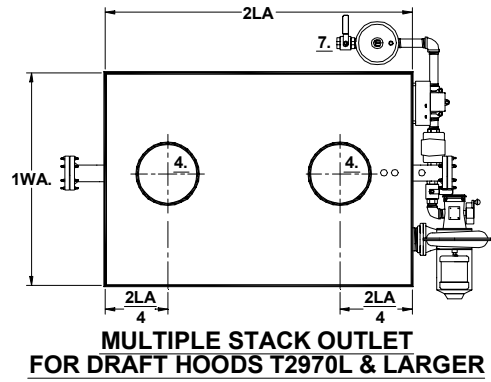
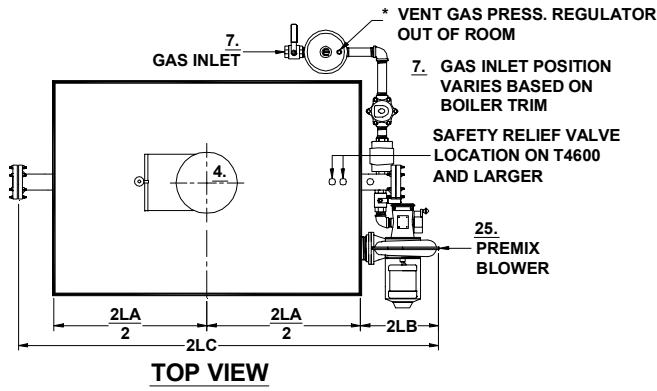


PREMIX METAL FIBER LOW NOx
PARKER DIRECT FIRED HOT WATER BOILERS
MODELS T1460L TO T6800L - BOTTOM MOUNTED MANIFOLD



NO.	ITEM	T1460L	T1730L	T1995L	T2160L	T2600L	T2970L	T3600L	T3900L	T4600L	T5700L	T6800L	
A	BTU Input	1000's BTU/HR.	1460	1730	1995	2160	2600	2970	3600	3900	4600	5700	6300
B	BTU Output	1000's BTU/HR.	1168	1384	1596	1728	2080	2376	2880	3120	3680	4560	5040
C	Heating Surface	SQ. FT.	193	220	285	285	337	364	440	493	573	678	840
1WA	Width of Cabinet Only	IN.	32	38	38	38	38	48	54	54	55	55	
1WB	Width Overall with Blower *	IN.	46	51	53	53	54	63	76	76	77	77	
2LA	Length of Cabinet Only	IN.	62	59	73	73	83	73	77	86	102	119	145
2LB	Length of Blower Beyond Cabinet	IN.	20	24	24	24	24	24	27	27	27	30	30
2LC	Length Overall	IN.	97	95	109	109	119	109	117	126	142	162	188
3HA	Height of Cabinet Only	IN.	62	62	62	62	62	64	64	64	64	64	
3HB	Height Overall w/Draft Hood(s)	IN.	102	102	104	104	106	102	106	106	106	110	112
3HC	Height Overall with Barometric Damper	IN.	90	90	92	92	96	96	98	104	104	104	104
4A	Vent Stack Diameter w/Draft Hood(s)	IN.	16	16	18	18	20	(2) 16	(2) 18	(2) 18	(2) 18	(2) 20	(2) 22
4B	Vent Stack Diameter with Barometric Damper	IN.	14	14	16	16	18	18	20	22	22	26	26
7A	Std. Nat. Gas Inlet Size	IN.	1.5	2	2	2	2	2.5	2.5	3	3	3	
	Std. Nat. Gas Inlet Supply Pressure; Max: 14" WC; Min. " WC	IN. WC	7	7	7	7	7	7	7	7	10	10	
7B	Hi Pressure Natural Gas or LP Gas Inlet Size, Supply Pressure 1-5 PSI	IN.	1.5	1.5	1.5	1.5	1.5	1.5	1.5	2	2	2	
15	Hot Water Outlet Size (Flanged)	IN.	3	4	4	4	4	4	5	5	5	6	6
15H	Hot Water Outlet Height From Floor	IN.	56	56	56	56	56	56	55	55	55	56	56
16	Water Inlet Size (Flanged)	IN.	3	4	4	4	4	4	5	5	5	6	6
16H	Water Inlet Height From Floor	IN.	30	30	30	30	30	30	29	29	29	29	29
17D	Drain Line Size Required	IN.	1.25	1.25	1.5	1.5	1.5	1.5	1.5	1.5	1.5	2	2
18AHP	Safety Relief Valve Size- 125 PSI	OUTLET IN.	3/4	1	1	1	1.25	1.25	1.25	1.25	(2) 1	(2) 1.25	(2) 1.25
18ALP	Safety Relief Valve Size- 30 PSI	OUTLET IN.	1.5	2	2	2	2.5	2.5	2.5	2.5	(2) 2	(2) 2.5	(2) 2.5
20A	Power Specifications	115V-1 Ph	2 Power Service Required: (1) 3 Phase, (1) 115V- 1 Phase										
20B	Controls (115V - 1 Phase, 60 Cycle)		5 AMPS										
21	Blower HP (3 Phase, 60 Cycle)		1/3 HP	3/4 HP	1 HP			1.5 HP	2 HP		3 HP		
	Water Capacity	GAL.	27	34	43	43	49	53	67	75	90	110	135
	Net Weight Boiler - Approximate	LBS.	2390	2550	3000	3000	3450	3840	4475	5050	6420	7300	8775
	Crated Shipping Weight of Boiler - Approximate	LBS.	2590	2800	3300	3300	3800	4240	4900	5500	6995	8000	9700

MINIMUM LISTED CLEARANCES TO COMBUSTIBLE CONSTRUCTION: Cabinet Sides & Rear 12", Cabinet Top 48", Draft Hood Vent Connector 6", Baro. Damper Chimney Connector 12"
Recommended Clearances for Access: Inspection Doors 18"; Controls 24"; Electrical Panel 30", 3Ph (36"); Additional Space may be required by Local Codes

* - Width & Gas Inlet Position vary based on Boiler Trim

Note: Due to continuous improvements, specifications are subject to change without notice.