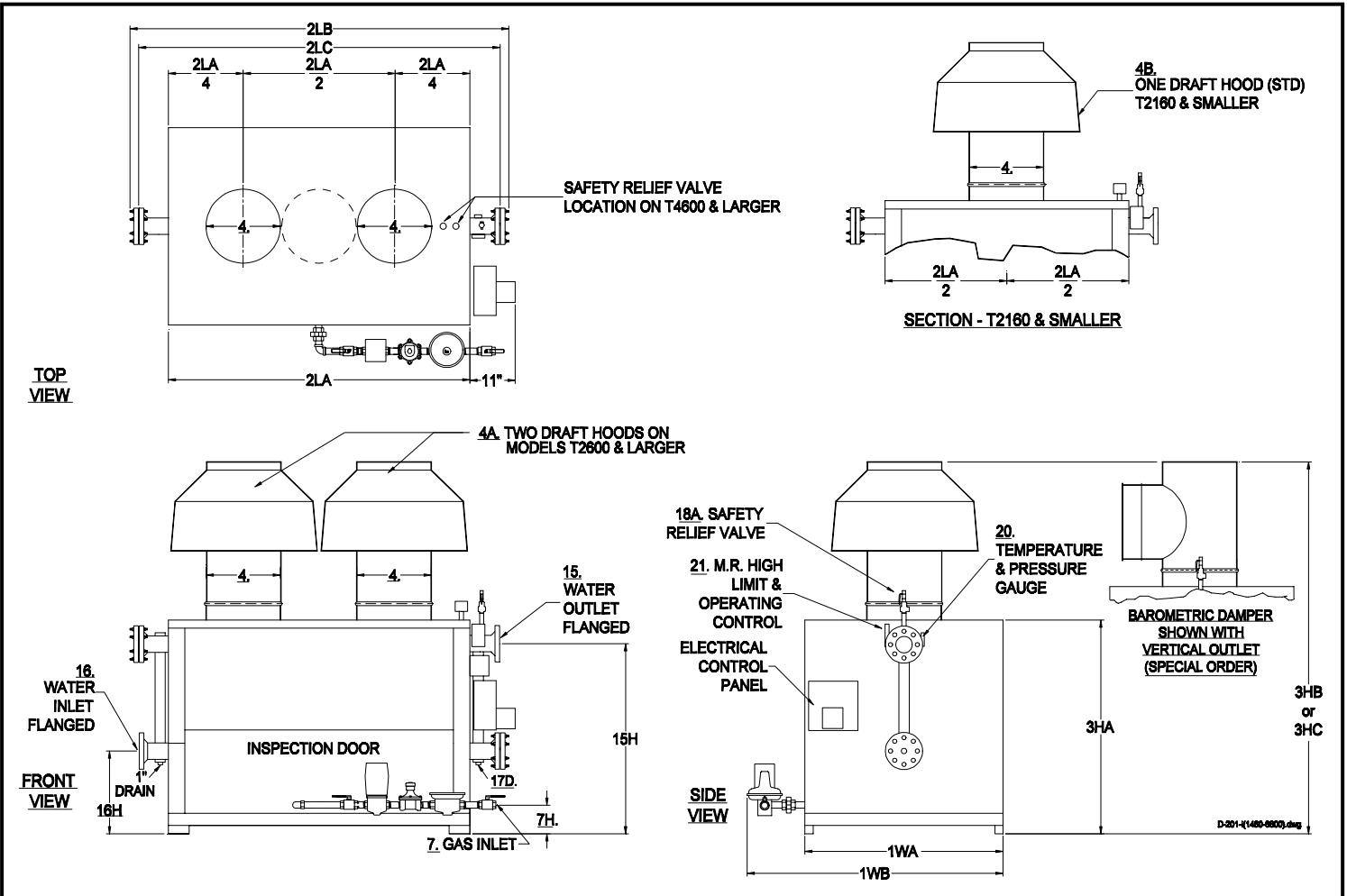


NO.		MODEL NO.	T300	T395	T490	T600	T760	T970	T1140
A	BTU Input	1000's BTU/HR.	300	395	490	600	760	970	1140
B	BTU Output	1000's BTU/HR.	240	316	392	480	608	776	912
C	Heating Surface	SQ. FT.	40.5	67	67	77	106	120	133
1WA	Width of Cabinet Only	IN.	16	22	22	22	22	26	26
1WB	Width Overall Including Controls	IN.	31	37	39	39	39	48	48
1WC	Minimum Header Width - Less Fittings (Blind Flanges on T970 & T1140)	IN.	28	34	34	34	34	41	41
2LA	Length of Cabinet Only	IN.	39	35	35	40	54	49	54
2LB	Length Overall	IN.	39	35	35	40	54	49	54
3HA	Height of Cabinet Only	IN.	38	43	43	43	43	43	43
3HB	Height Overall Including Draft Hood(s) (Standard)	IN.	68	75	75	76	77	79	83
3HC	Height Overall Includ. Barometric Damper (Vert. Outlet/Horizont. Outlet)-(Spec. Order)	IN.	57/55	62/60	62/60	62/60	65/62	69/65	69/65
4A	Vent Stack Diameter with Draft Hood (Standard)	IN.	8	10	10	12	12	14	16
4B	Vent Stack Diameter with Barometric Damper (Special Order)	IN.	8	8	8	8	10	12	12
7A	Std. Nat. Gas Inlet Size	IN.	3/4	3/4	1	1	1	1-1/2	1-1/2
7A1	Std. Nat. Gas Inlet Supply Press: Max: 14" WC; Min: 7" WC	IN. WC	7	7	7	7	7	7	7
7A2	Manifold Pressure at Burner	IN. WC	4	4	4	4	4	4	4
7B	Hi Press. Nat. & Propane Gas Inlet Size/Supply Press. 1-5 PSI	IN.	3/4	3/4	3/4	3/4	3/4	1-1/2	1-1/2
7B2	Propane Manifold Press. at Burner	IN. WC	18	18	18	18	18	18	18
7H	Gas Inlet Height From Floor	IN.	6	5	5	5	5	5	5
15	Hot Water Outlet Size (NPT Except * T970 & T1140 Class 150 Flanged)	IN.	1-1/2	2	2	2	2	3 *	3 *
15H	Hot Water Outlet Height From Floor	IN.	32	37	37	37	37	37	37
16	Water Inlet Size (NPT Except * T970 & T1140 Class 150 Flanged)	IN.	1-1/2	2	2	2	2	3 *	3 *
16H	Water Inlet Height From Floor	IN.	15	17	17	17	17	17	17
17D	Drain Opening(s) (T970 & T1140 1" Inlet Side of Boiler)Outlet Side	Outlet Side IN.	3/4	1	1	1	1	1	1-1/4
18AHP	Safety Relief Valve Drain Size- 125 PSI, 250°F, "H" Code	OUTLET IN.	3/4	3/4	3/4	3/4	3/4	3/4	3/4
18ALP	Safety Relief Valve Drain Size- 30 PSI, 250°F, "H" Code	OUTLET IN.	3/4	1	1	1	1-1/4	1-1/4	1-1/2
J	Water Capacity	GAL.	5.0	8.3	8.3	9.5	13	16	18
K	Net Weight of Boiler	LBS.	460	755	755	920	1190	1365	1500
L	Domestic Crated Shipping Weight of Boiler	LBS.	560	880	880	1060	1340	1520	1660

MINIMUM LISTED CLEARANCES TO COMBUSTIBLE CONSTRUCTION:	12"	48"	6"	12"
	Cabinet Sides & Rear	Cabinet Top	Draft Hood Vent Connector	Baro. Damper Chimney Connector
Recommended Clearances for Access: Inspection Doors 18"; Controls 24"; Electrical Panel 30"; Additional Space may be required by Local Codes				

Note: All of the above dimensions are for a standard trim model. Due to continuous improvement, specifications are subject to change without notice.



NO.	MODEL NO.	T1460	T1730	T2160*	T2600	T2970	T3600	T3900	T4600	T5700	T6800
A	BTU Input	1000's BTU/HR.	1460	1730	2160	2600	2970	3600	3900	4600	6800
B	BTU Output	1000's BTU/HR.	1168	1384	1728	2080	2376	2880	3120	3680	5440
C	Heating Surface	SQ. FT.	193	220	285	337	364	440	493	573	840
1WA	Width of Cabinet Only	IN.	32	38	38	38	48	54	54	54	55
1WB	Width Overall Including Controls	IN.	41	52	52	53	65	69	70	72	72
2LA	Length of Cabinet Only	IN.	62	59	73	83	73	77	86	102	145
2LB	Length Overall	IN.	83	81	95	105	95	101	110	125	172
2LC	Header Length less Blind Flanges	IN.	78	76	90	101	90	97	106	121	168
3HA	Height of Cabinet Only	IN.	52	52	52	52	52	56	56	56	56
3HB	Height Overall Including Draft Hood(s) - (Standard)	IN.	94	94	96	92	94	98	98	100	104
3HC	Ht. Overall Inclu. Baro. Damper (Vert./Horiz. Outlet)(Spec. Order)	IN.	80/78	80/78	82/81	86/83	86/83	90/90	96/96	96/99	100/102
4A	Vent Stack Diameter with Draft Hood(s) - (Standard)	IN.	(1) 18	(1) 18	(1) 20	(2) 16	(2) 18	(2) 18	(2) 18	(2) 20	(2) 24
4B	Vent Stack Diameter with Barometric Damper	IN.	(1) 14	(1) 14	(1) 16	(1) 18	(1) 18	(1) 20	(1) 22	(1) 22	(1) 28
7A	Std. Nat. Gas Inlet Size	IN.	1-1/2	2	2	2	2	2-1/2	2-1/2	3	3
7A1	Std. Nat. Gas Inlet Supply Pressure; Max: 14" WC; Min. IN. WC	IN. WC	7	7	7	7	7	7	7	10	10
7A2	Nat. Gas Manifold Pressure at Burner	IN. WC	4	4	4	4	4	4	4	4	4
7B	Hi Press. Nat. & Propane Gas Inlet Size Supply Press. 1-5 PSI	IN.	1-1/2	1-1/2	1-1/2	1-1/2	1-1/2	1-1/2	1-1/2	2	2
7B1	Propane Manifold Pressure at Burner:	IN. WC	18	18	18	18	18	18	18	18	18
7H	Gas Inlet Height From Floor	IN.	7	7	7	7	7	19	19	19	19
15	Hot Water Outlet Size (Class 150 Flanged)	IN.	3	4	4	4	4	5	5	5	6
15H	Hot Water Outlet Height From Floor	IN.	46	46	46	46	46	47	47	47	47
16	Water Inlet Size (Class 150 Flanged)	IN.	3	4	4	4	4	5	5	5	6
16H	Water Inlet Height From Floor	IN.	20	20	20	20	20	21	21	21	21
17D	Drain Openings (1" Inlet Side of Boiler) Outlet Side	IN.	1-1/4	1-1/4	1-1/2	1-1/2	1-1/2	1-1/2	1-1/2	1-1/2	2
18AHP	Safety Relief Valve Drain Size-125 PSI, 250°F, "H" Code	OUTLET IN.	3/4	1	1	1-1/4	1-1/4	1-1/4	1-1/4	(2) 1	(2) 1-1/4
18ALP	Safety Relief Valve Drain Size- 30 PSI, 250°F, "H" Code	OUTLET IN.	1-1/2	2	2	2-1/2	2-1/2	2-1/2	2-1/2	(2) 2	(2) 2-1/2
J	Water Capacity	GAL.	27	34	43	49	53	67	75	90	135
K	Net Weight of Boiler	LBS.	2390	2550	3000	3450	3840	4475	5050	6420	8775
L	Domestic Crated Shipping Weight of Boiler	LBS.	2590	2800	3300	3800	4240	4900	5500	6995	9700

MINIMUM LISTED CLEARANCES TO COMBUSTIBLE CONSTRUCTION: Cabinet Sides & Rear 12", Cabinet Top 48", Draft Hood Vent Connector 6", Baro. Damper Chimney Connector 12"  
Recommended Clearances for Access: Inspection Doors 18"; Controls 24"; Electrical Panel 30: Additional Space may be required by Local Codes

T1995 available with same dimensions as T2160 except: 1995MBTU/Input; 1596MBTU/Output.

Note: All of the above dimensions are for a standard trim model. Due to continuous improvement, specifications are subject to change without notice.