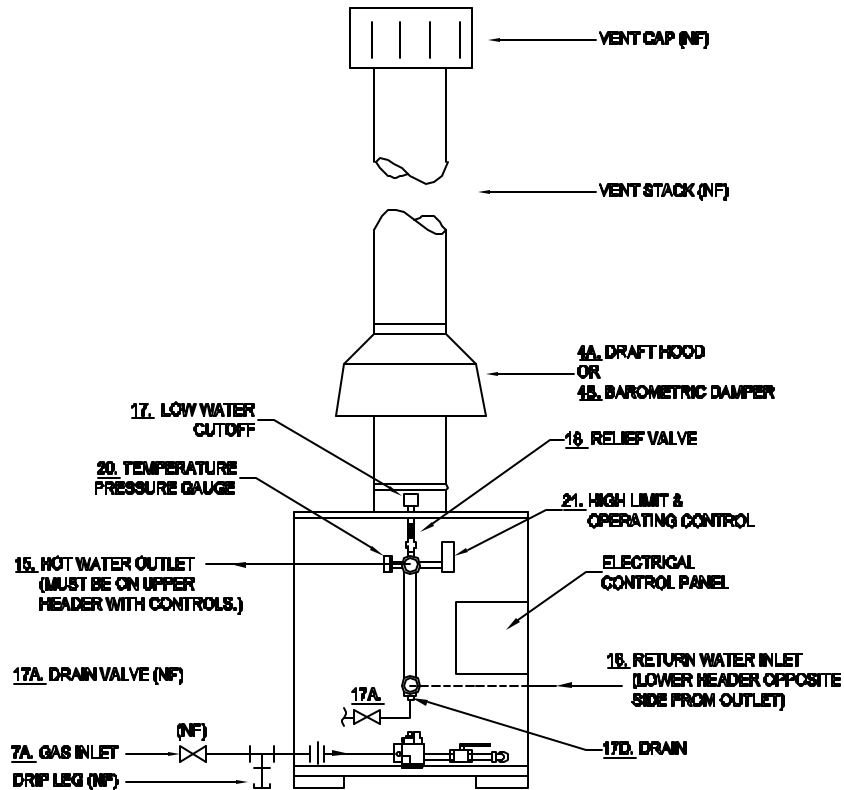


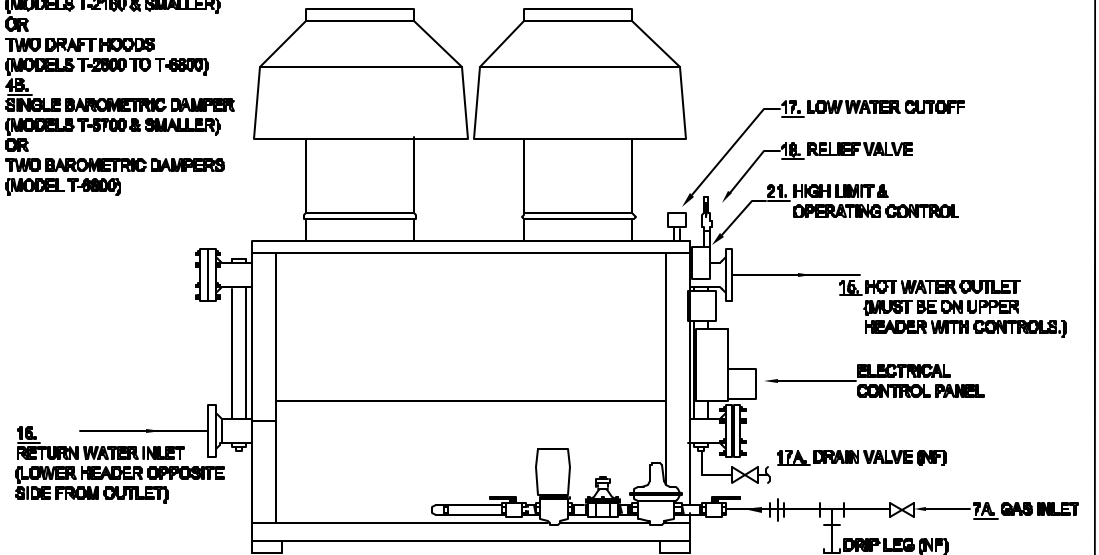
PARKER DIRECT GAS FIRED HOT WATER BOILERS INSTALLATION DRAWING



FRONT VIEW
MODELS T-300 TO T-1140

NOTE: MODELS T-570 & LARGER FURNISHED WITH FLANGED CONNECTIONS. ALL SMALLER SIZES FURNISHED WITH SCREWED CONNECTIONS.

4A. SINGLE DRAFT HOOD
(MODELS T-2160 & SMALLER)
OR
TWO DRAFT HOODS
(MODELS T-2800 TO T-6800)
4B. SINGLE BAROMETRIC DAMPER
(MODELS T-5700 & SMALLER)
OR
TWO BAROMETRIC DAMPERS
(MODEL T-6800)



FRONT VIEW
MODELS T-1480 TO T-6800

- SHUTOFF VALVE
- TEE
- UNION
- (NF) NOT FURNISHED

201INST.DWG

NOTE: CIRCULATING PUMP REQUIRED ON ALL INSTALLATIONS. LOW WATER CUTOFF FURNISHED STANDARD ON BOILER OUTLET HEADER. WHEN ADDITIONAL LOW WATER CUTOFF OR COMBINATION FEEDER USED, SHOULD BE INSTALLED IN FIELD AT SAFE SYSTEM WATER LEVEL. REFER TO DETAILED SYSTEM DRAWING FOR OTHER PIPING INFORMATION.

USED ON		T-300 TO T-6800 HOT WATER BOILERS		PART NAME		INSTALLATION DRAWING	
FOR							
PARKER DIRECT GAS FIRED HOT WATER BOILERS							
DR.	RPC	DATE	BD	PARKER BOILER CO. 5930 BANDINI BLVD. LOS ANGELES, CALIF. 90040		SCALE	NO SCALE
CH.						SUPERSEDES NO.	12/75
APPROVED						DWG. NO.	201 INST 1