

RECOMMENDED SINGLE WALL METAL CHIMNEY
INSTALLATION FOR BOILERS WITH BAROMETRIC DAMPERS

CHIMNEY TERMINATION

Always terminate chimney at least 3 ft. above roof opening and at least 2 ft. above any part of building within 10 ft. (UMC Table 9C). If it terminates more than 5 ft. above roof it should be securely guyed or braced. Keep away from any air inlet, door or window

CLEARANCE TO COMBUSTIBLES

C = 12" UL Listed Models
C = 18" All Other Models
(UMC Table 9C)

CLEARANCE TO NON-COMBUSTIBLES

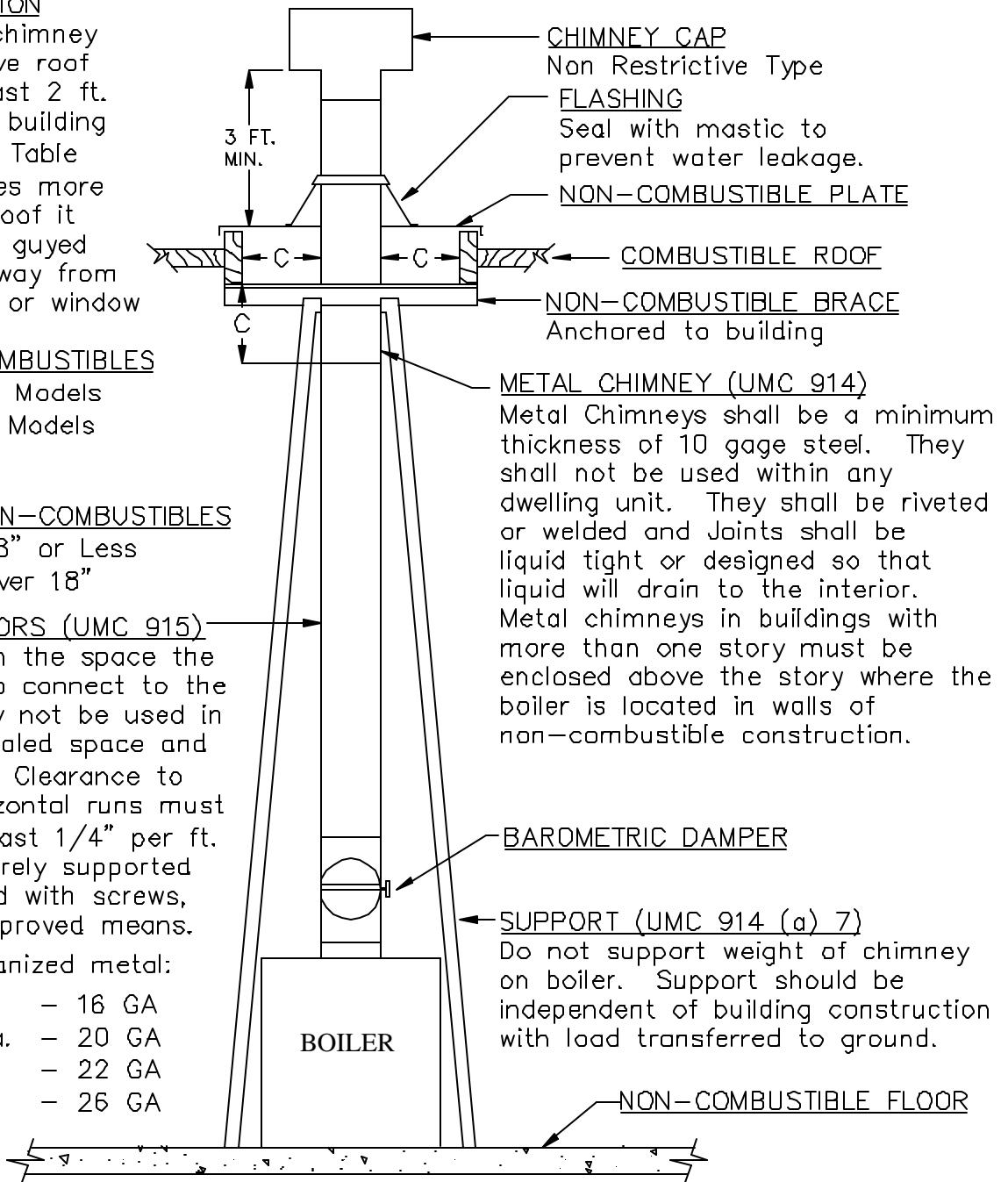
2" - Stack Dia. 18" or Less
4" - Stack Dia. over 18"

CHIMNEY CONNECTORS (UMC 915)

May be used within the space the boiler is located to connect to the chimney. They may not be used in any attic or concealed space and must maintain "C" Clearance to combustibles. Horizontal runs must pitch upward at least 1/4" per ft. They shall be securely supported and joints fastened with screws, rivets, or other approved means.

They shall be galvanized metal:

- Over 16" Dia. - 16 GA
- Over 12 to 16" Dia. - 20 GA
- Over 9 to 12" Dia. - 22 GA
- 9" or Less Dia. - 26 GA



NOTE: The above are Manufacturer's Recommendations and all installations must comply with all local code requirements.

122RC-1DW6

USED ON		PARKER GAS FIRED BOILERS	PART NAME		INSTALLATION DRAWING
FOR					
RECOMMENDED SINGLE WALL METAL CHIMNEY INSTALLATION FOR BOILERS WITH BAROMETRIC DAMPERS					
DR.	RPC	DATE	9A	SCALE	
				NONE	
CH.				SUPERSEDES NO.	
				5/84	
APPROVED				DWG. NO.	
				122RCI-1	
			PARKER BOILER CO. 5930 BANDINI BLVD. LOS ANGELES, CA 90040		

TYPICAL FACTORY BUILT CHIMNEY INSTALLATIONS

Factory built chimneys must be installed in accordance with the terms of their listing, the manufacturers instructions, and applicable Code Requirements.

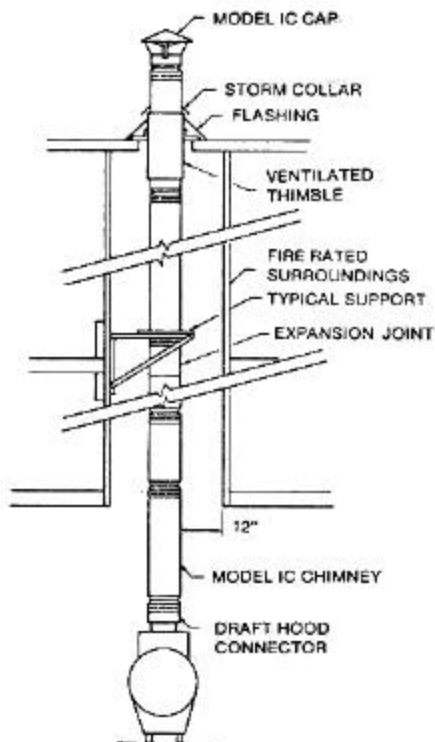


FIG. 1

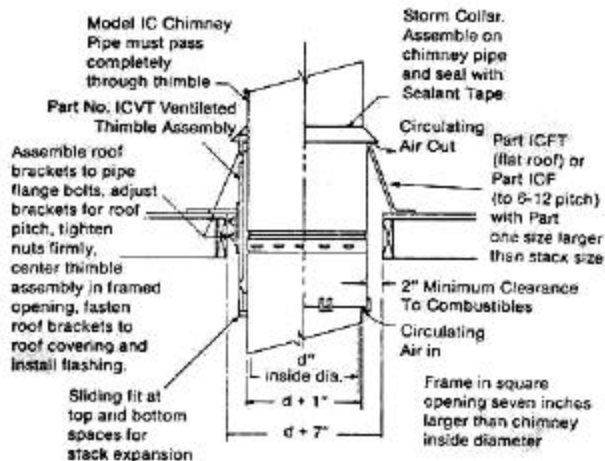


FIG. 12 - FLAT ROOF

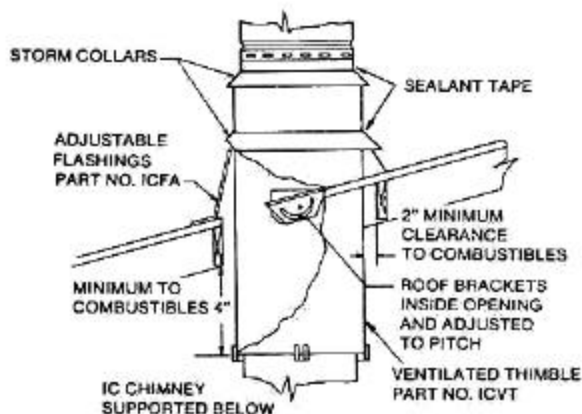
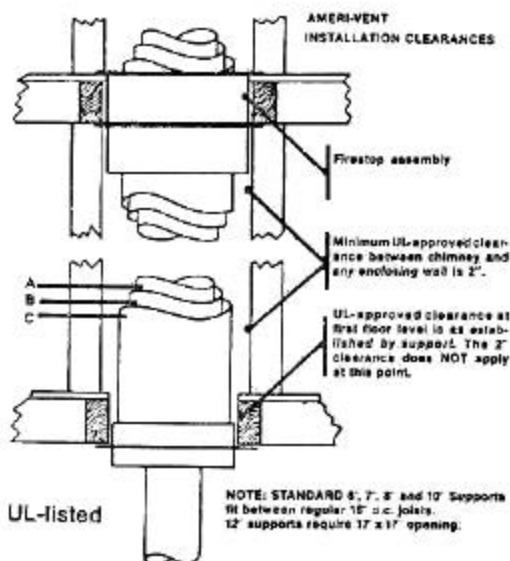
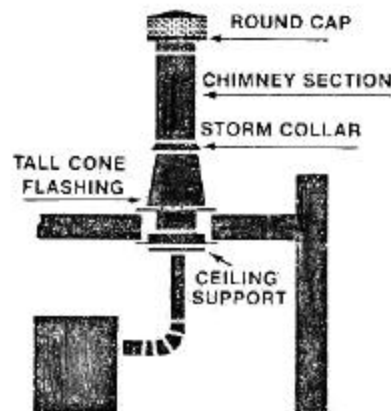


FIG. 13 - PITCHED ROOF



UL-listed

NOTE: STANDARD 8\", 7\", 3\" and 10\" supports fit between regular 16\" o.c. joists. 12\" supports require 17\" x 17\" opening.



Commercial installation serving unit heater on flat roof. Tall cone flashing is recommended to reduce chances of leakage in snow-pack areas.