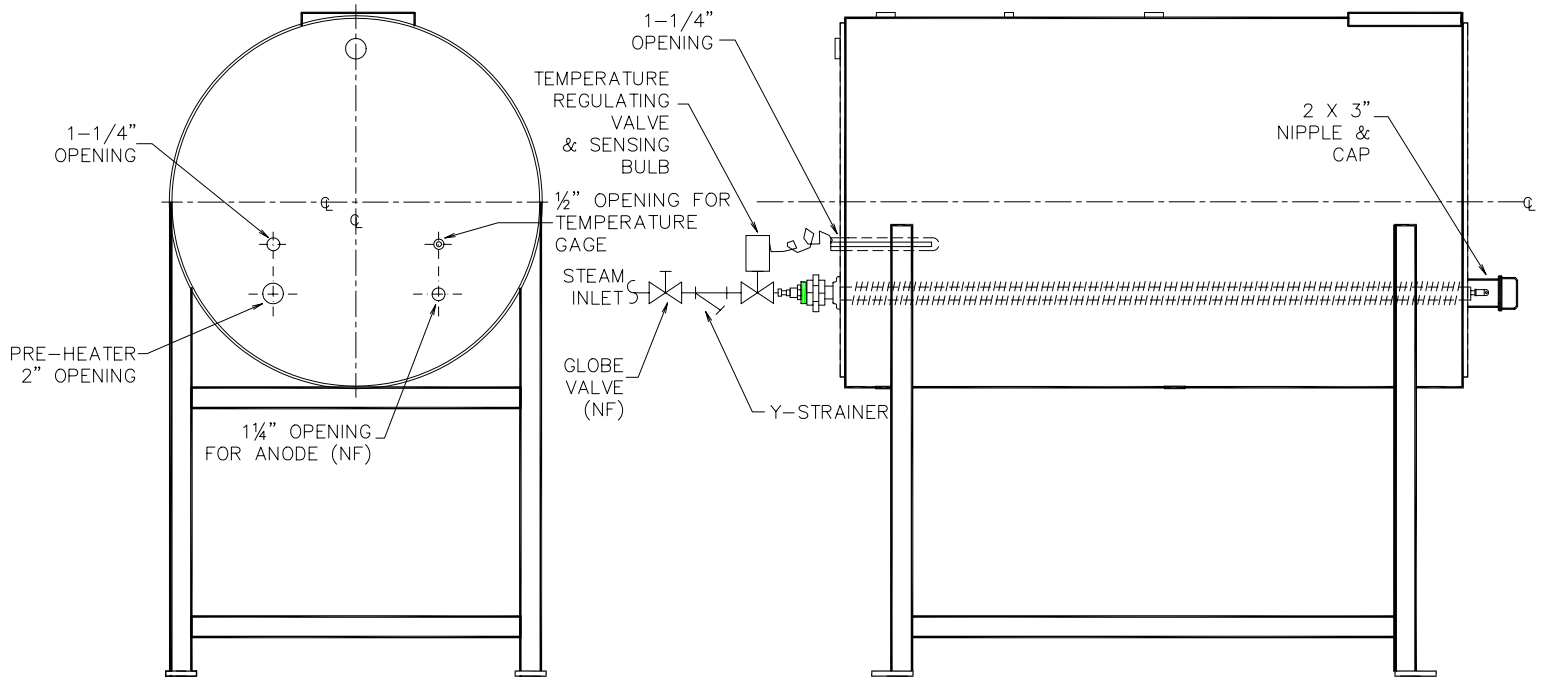
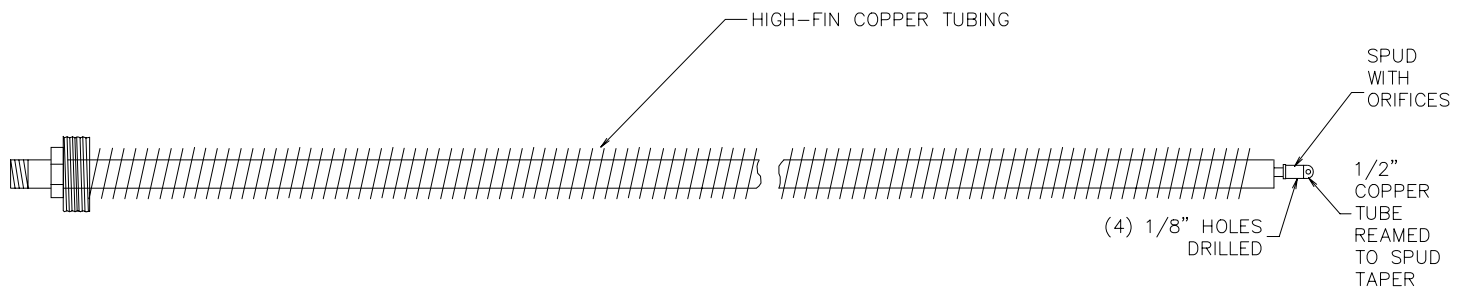


PRE-HEATER TUBE IN RETURN TANK



RETURN TANK WITH PRE-HEATER TUBE

NOTE:
REGULATING VALVE &
STRAINER SHIPPED LOOSE
FOR FIELD ASSEMBLY.



PRE-HEATER TUBE
(7" LONGER THAN RETURN TANK)

USED ON PARKER RETURN SYSTEMS		PART NAME PREHEATER	
FOR PRE-HEATING BOILER FEED WATER		FILE DESIGNATION 106PH.DWG	
DR. ABB	DR. 9D	PARKER BOILER CO. 5930 BANDINI BLVD. LOS ANGELES, CALIF. 90040-2998	SCALE NONE
CH.			DIMENSIONS CAD DRAWING
SUPERCEDES NO. 6D			DWG. NO. 106-PH