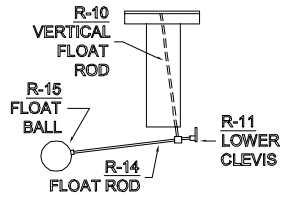
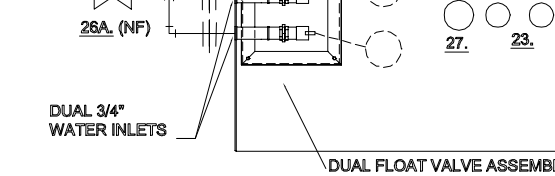


**PARKER PACKAGED AUTOMATIC WATER FEED BOILER RETURN SYSTEMS R-7 TO R-9
INSTALLATION DRAWING - RETURN SYSTEMS WITH DUAL BURKS TURBINE PUMPS**

REMOVABLE WELL ASSEMBLY

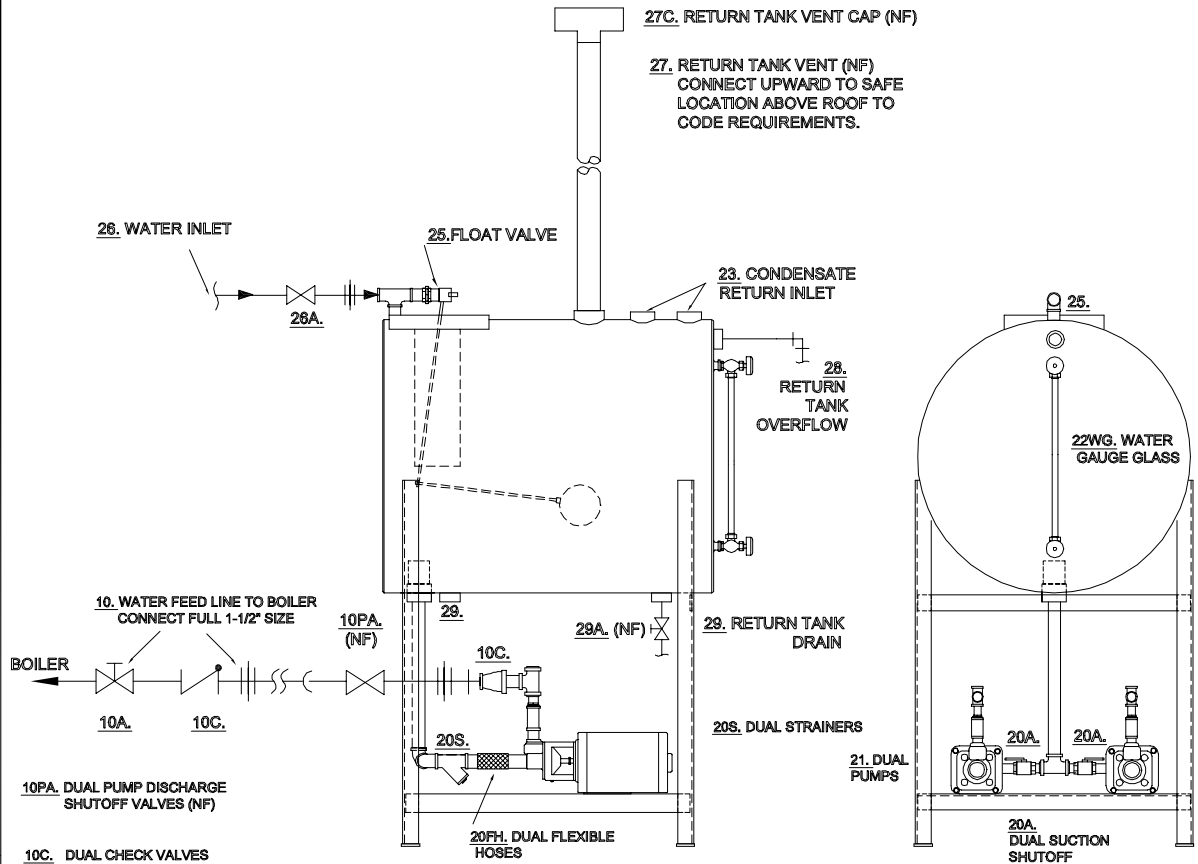
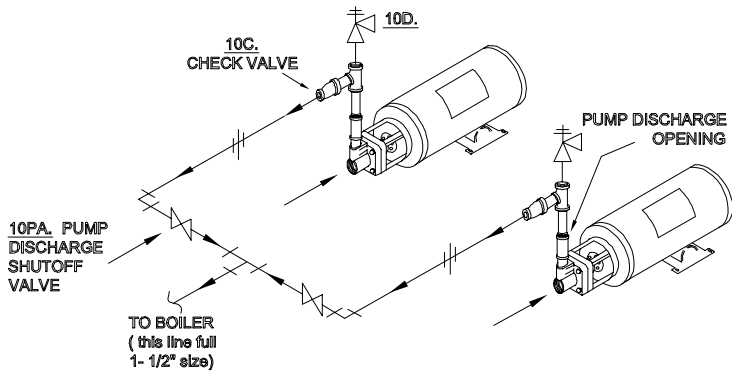


1 1/4" SIZE LINE RECOMMENDED



**TOP VIEW OF DUAL FLOAT VALVE ASSEMBLY
RETURN SYSTEM R-9 & R-10
STEAM BOILERS 115 & 300 H.P.**

VIEW OF RECOMMENDED PIPING CONNECTING PUMPS



**RETURN SYSTEMS R-7 TO R-9
70 TO 150 H.P. BOILERS**

- CHECK VALVE
- SHUTOFF VALVE
- UNION
- (NF) NOT FURNISHED

| | | | | | | | |
|----------|----|---|------------------|--|--|----------------------|-------------|
| USED ON | | PARKER STEAM BOILERS | | PART NAME | | INSTALLATION DRAWING | |
| FOR | | RETURN SYSTEMS R-7 TO R-9 WITH DUAL BURKS TURBINE PUMPS | | | | | |
| DR. | NA | DATE | 9D | PARKER BOILER CO. 5930 BANDINI BLVD. LOS ANGELES, CA 90040 | | SCALE | CAD DRAWING |
| CH. | | | DIMENSIONS | | | | |
| APPROVED | | | FILE DESIGNATION | | | 106DUAL.DWG | |
| APPROVED | | | DWG. NO. | | | 106 DUAL INST 1 | |