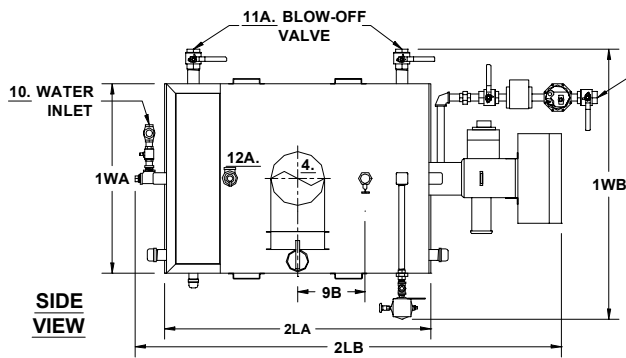
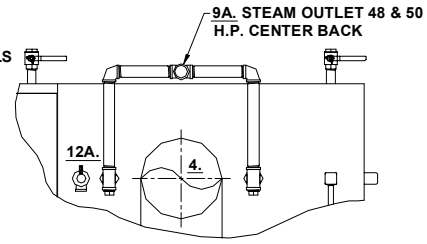


PARKER INDUSTRIAL HORIZONTAL STEAM BOILER
30 TO 50 H.P. – POWER GAS, LIGHT OIL, OR COMBINATION FIRED

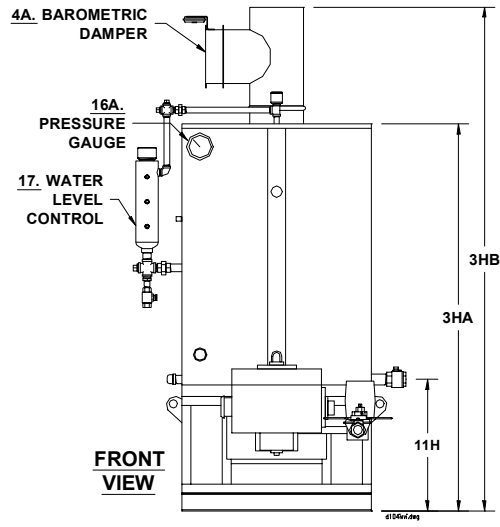
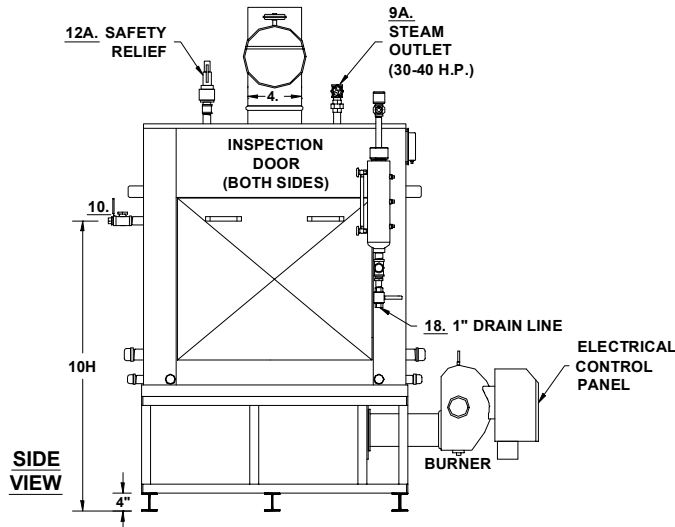
D-104-IV-VI
OH1



7A. GAS INLET & CONTROLS
 Furnished only on
 Power Gas or
 Combination Fired
 Boilers.



SECTION - STEAM OUTLET
48 & 50 H.P. ONLY



* DENOTES FUEL (G, O, GO) MODEL NO. 104*-30 104*-40 104*-48 104*-50

NO.		HORSEPOWER	30 HP	40 HP	48 HP *	50 HP
A	BTU Input	1000's BTU/HR.	1260	1680	1995	2100
B	BTU Output at rating from and at 212°F	1000's BTU/HR.	1008	1344	1596	1680
C	Heating Surface	SQ. FT.	172	232	278	278
D	Rated Steaming Capacity from and at 212°F	LBS./HR.	1035	1380	1656	1725
1WA	Width Cabinet Only	IN.	42	42	42	42
1WB	Width Overall Including Blow-Off Valve	IN.	60	60	60	60
2LA	Length of Cabinet Only	IN.	59	73	91	91
2LB	Length Overall Including Burner	IN.	96	115	133	133
3HA	Height of Cabinet with Firebox	IN.	86	86	86	86
3HB	Height Overall Including Barometric Damper	IN.	112	114	116	116
4	Vent Stack Diameter	IN.	12	14	16	16
5A	Chimney Minimum Height Above Boiler at Sea Level	FT.	12	12	12	12
7A	Gas Inlet Size - Standard Nat. Gas/ Supply Press. Min: 7" WC; Max: 14" WC	IN.	1-1/4	1-1/2	1-1/2	1-1/2
8A	Oil Input Required at Manufacturer's Capacity Rating (No. 2 Light Fuel Oil)	GPH.	9	12	14	15
8B	Oil Supply Line Size - Minimum for up to 30 Ft. Length	IN.	3/4	3/4	3/4	3/4
9A HP	Steam Valve Size - High Pressure 60 to 250 PSI	IN.	1-1/4	1-1/2	2	2
9 LP	Steam Outlet Size - Low Pressure 15 PSI or less - Special Order	IN.	2-1/2	3	4 FLG.	4 FLG.
9B	Steam Outlet Location - From Center of Boiler	IN.	15	15	Cntr- Back	Cntr- Back
10	Water Inlet Size	IN.	1	1	1	1
10H	Water Inlet Height From Floor	IN.	65	65	65	65
11A	Blow-Off Valve Size	IN.	(2) 1-1/4	(2) 1-1/4	(2) 1-1/2	(2) 1-1/2
11H	Blowdown Line Height From Floor	IN.	29	29	29	29
12A HP	Safety Valve Drain Size - High Pressure - 100 PSI - Standard	OUTLET IN.	1-1/2	1-1/2	2	2
12A LP	Safety Valve Drain Size - Low Pressure - 15 PSI ("H" Stamp) – Spec. Order	OUTLET IN.	2	2	2	2
J	Net Weight Of Boiler	LBS.	3540	4545	5405	5405
K	Domestic Crated Shipping Weight of Boiler	LBS.	3890	4980	5940	5940
L	Same with Return System	LBS.	4410	5520	6480	6480

MINIMUM CLEARANCES TO COMBUSTIBLE CONSTRUCTION: 18" Cabinet Sides & Rear 48" Cabinet Top 18" Baro. Damper Chimney Connector

Recommended Clearances for Access: Inspection Doors 18" (One inspection door must be 28" for tube removal); Controls 24"; Electrical Panel 30"; Additional Space may be required by Local Codes.

Note: All of the above dimensions are for a standard trim model. Due to continuous improvement, specifications are subject to change without notice. D104iv-vi.doc