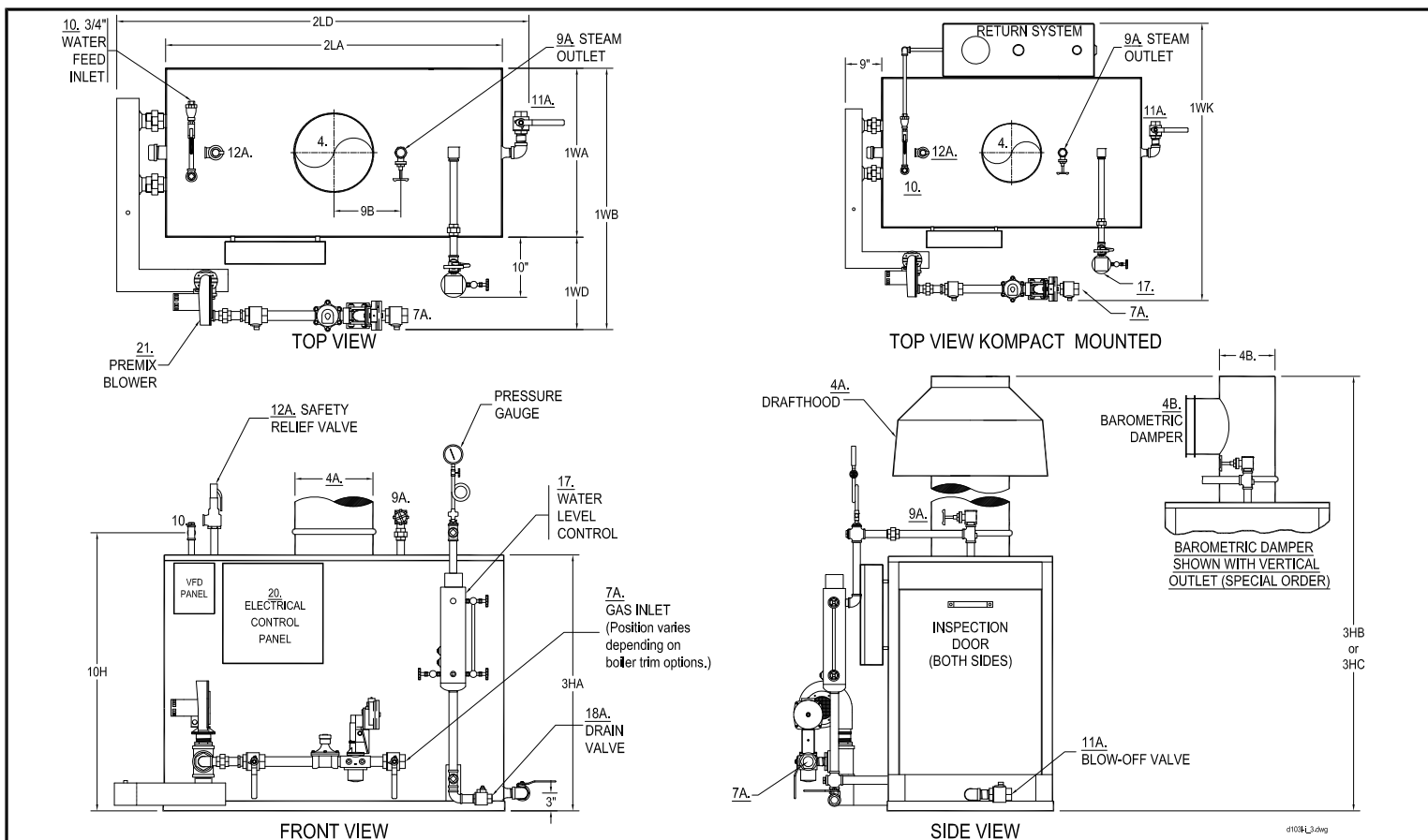


**PREMIX METAL FIBER LOW NO_x
PARKER GAS FIRED STEAM BOILERS
MODELS 9.5L TO 25L - SIDE MOUNTED MANIFOLD**



NO.		MODEL NO.	9.5L	15L	20L	25L
		HORSEPOWER	9.5	15	20	25
A	BTU Input	1000's BTU/HR.	398*	645	860	1075
B	BTU Output at rating from and at 212°F	1000's BTU/HR.	318	516	688	860
C	Heating Surface	SQ. FT.	68	82.5	106	132
D	Rated Steaming Capacity from and at 212°F	LBS./HR.	328	518	690	863
1WA	Width of Cabinet	IN.	24	27	30	36
1WB/1WK	Width Overall / Width Overall w/ Kompact Mounting	IN.	41 / 51	44 / 54	47 / 60	55 / 68
1WD	Width of Premix Blower Beyon Cabinet / (if Maxon, 1WD may vary)	IN.	17	17	17	19
2LA	Length of Cabinet	IN.	53	53	61	62
2LD	Length Overall	IN.	67	67	76	74
3HA	Height of Cabinet Only	IN.	42	42	46	46
3HB	Vent Stack Diameter with Draft Hood - (Standard)	IN.	74	76	82	82
3HC	Height Overall Including Barometric damper (Vert. Outlet/Horiz Outlet)-(Special Order)	IN.	61 / 59	64 / 61	68 / 65	72 / 68
4A	Vent Stack Diameter with Draft Hood - (Standard)	IN.	10	12	14	14
4B	Vent Stack Diameter with Barometric Damper - (Special Order)	IN.	8	10	10	12
7A	Std. Nat. Gas Inlet Size @ Inlet Supply Pressure: Max 14" WC, Min 7" WC	IN.	3/4	1	1-1/2	1-1/2
7B	Hi Press. Nat. Gas or LPG Gas Inlet Size Suppy Press. 1-5 PSI	IN.	3/4	3/4	1-1/2	1-1/2
9A HP	Steam Valve Size- Hight Pressure 60 to 250 PSI	IN.	1	1	1	1-1/4
9 LP	Steam Outlet Size - Low Pressure 15 PSI of less - (Special Order)	IN.	2	2	2	2-1/2
9B	Steam Outlet Location - From Center of Boiler	IN.	9	9	12	12
10H	Water Height From Floor	IN.	45	45	50	50
11A	Blow-off Valve Size	IN.	1	1	1-1/4	1-1/4
12A	Saf. Valve Drain Size - High Press., 100 PSI Std. / (15PSI "H" Stamp Spec. Order)	IN.	1 / (1-1/2)	1 / (1-1/2)	1-1/4 / (1-1/2)	1-1/4 / (2)
18	Water Column Drain Valve Size	IN.	3/4	3/4	1	1
20A	POWER SPECIFICATIONS (# of Services Required; for Blower & Pump), Starters Provided on Panel for Blower & Pump.		2		2	
20B	Boiler Feed Pump, HP, Voltage, & Phase Depends on Boiler Pressure (See Parker Spec. Sheet D-106-C)					
20C	Controls (115V-1Ph-60Hz) (Transformer Provided if Required)		5 AMPS			
21	Premix Blower HP (3Ph Unless Noted)	HP	1/2		1	
J	Net Weight of Boiler	LBS.	1080	1270	1680	1945
K	Domestic Crated Shipping Wight of Boiler	LBS.	1235	1430	1860	2175
L	Same with Return System or Kompact Mounting	LBS.	1525	1720	2215	2530

MINIMUM LISTED CLEARANCES TO COBUSTIBLE CONSTRUCTION:	12" Cabinet Sides & Rear	48" Cabinet Top	6" Draft Hood Vent Connector	12" Baro. Damper Chimney Connector
---	-----------------------------	--------------------	---------------------------------	---------------------------------------

Recommended Clearances for Access: Inspection Doors 18"; Controls 24"; Electrical Panel 30"; Additional Space may be required by Local Codes.

Notes: All of the above dimensions are for a standard trim model. Due to continuous improvement, specifications are subject to change without notice.