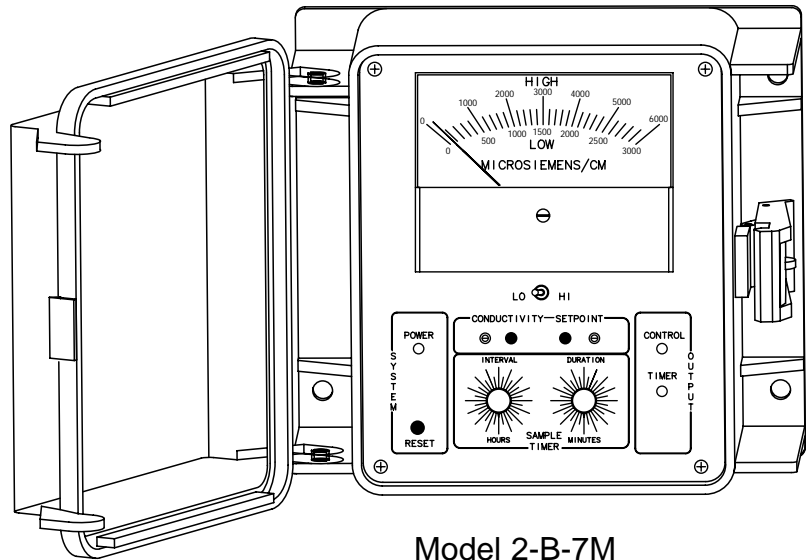


# Model 2-B-7M

## Conductivity Boiler Controller



## Key Features

- Digital Timed Sampling
- NEMA 4X Type Enclosure
- Simple to Operate
- Large Meter Display
- Front Panel Calibration
- Front Panel Set Point
- Front Panel Timer Settings
- LED Indicator Lights
- Dual Scale Flexibility
- Adjustable Differential
- Low Cost
- 2 Year Warranty

## Application

Model 2-B-7 and 2-B-7M controllers provide accurate conductivity control of boiler systems based on a continuous sampling method.

Timed sampling saves energy by minimizing waste of heated water. Operator set timer settings determine how frequently the controller checks the boiler water, continuing to blow down only when above the set point.

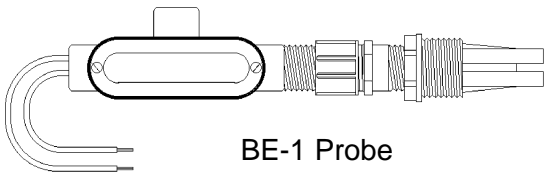
Both units use digital timed circuits for superior accuracy. Model 2-B-7M provides a large analog meter needle display of the conductivity reading. Model 2-B-7 uses a linear dial display.

Increase cycles of concentration, save water and maximize chemical efficiency in an easy to understand analog design.

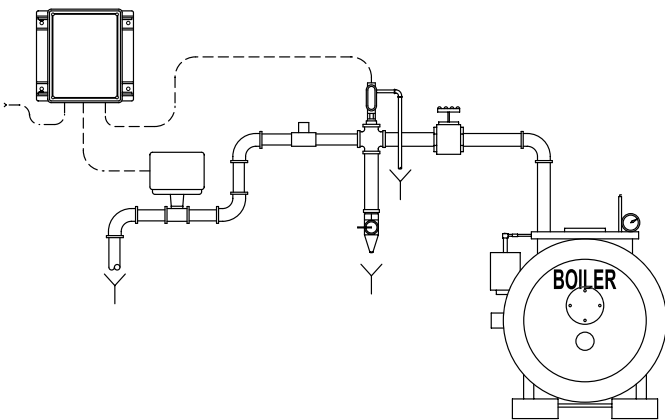
# Options

Your unit may be supplied with one or more options listed at the end of the model number, for example 2-B-7M-B. This list represents our most popular options. For a complete list of options, consult the factory.

- 1 230 V 50/60 Hz
- 2 Recorder Output (0-1 mA)
- 3 High/Low Alarm with 115 VAC Relay
- 4 4-20 mA Non-Isolated Output
- 5 Dry Contact For Alarm Output
- 8 Unit Prewired for Solenoid Valve Output
- 8A Unit Prewired for Motorized Valve Output
- 9 0-24 Hour Sample Time Interval
- B Stainless Steel Threaded Probe (BE-9C)
- E Time Delay Relay
- K Dry Contact (N.O. and N.C. Outputs)
- Q Additional Scales (see price list)
- S NEMA 1 Steel Enclosure - Conduit
- S-1 NEMA 1 Steel Enclosure - Prewired
- T Switch for Power On/Off



BE-1 Probe



Typical Installation

# Specifications

## Electrical

- **Input:** 115 VAC, 50/60 Hz
- **Control:** 115 VAC Relay, 10 Amp resistive

## Operational

- **Display:** 2-B-7 - Linear Dial  
2-B-7M - 3 1/2" Analog Meter
- **Scale:** 0-3000 and 0-6000 (standard)
- **Drift:** Less than 0.25% per month
- **Differential:** Adjustable from 2 to 12% of scale
- **Accuracy:** +/- 2%
- **Sample Timers**  
Interval: 0-7 3/4 hours in 15 min. increments  
Duration: 0-7 3/4 minutes in 15 sec. increments

## Enclosure

Heavy duty NEMA 4X type high impact thermoplastic with padlockable gasketed Lexan viewing door. Conduit holes provided.

## Environment

- Ambient temperature: 0° to 140°F (-17 to 58°C)
- Relative humidity: 0 to 100%

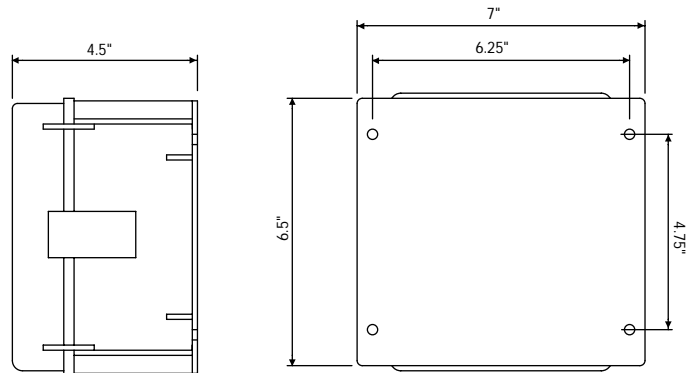
## Electrodes

Standard BE-1 Ryton construction, 1" MNPT plumbing connection, 3/4" threaded conduit T furnished with 1" FNPT mounting cross.

- Pressure Max: 250 psi
- Temperature Max: 400°F (205°C)

**Shipping Weight:** Approximately 6 lbs.

**Dimensions:** W 7" x H 6.5" x D 4.5"



Get the Advantage

