

PARKER BOILER CO.
CB 70 BALL VALVE

NOTE: All Apollo Conbraco blow-off valves furnished by Parker Boiler are cast bronze bodies spec B62.

The CB 70 Series are ball valves with brass bodies and a "blow-out proof" stem. The handle turns to full "open" or "closed" position with quick quarter turn.

The CB 70-100 valves are rated for 157 PSI steam service and are used as blowoff valves and water feed line stop valves (if furnished) on boilers up to 125 PSI working pressure. The CB 70-100 and 70-100-C with pressure taps are approved for use as gas cocks on Parker Boilers. The CB70-100 is built with a chrome plated brass ball, solid Teflon seats, brass stem, and Teflon stem packing.



CB 70-100

The CB70-140 valves are rated for 250 PSI steam service and are used as blowoff valves and water feed line stop valves (if furnished) on boilers up to 200 PSI working pressure. The CB 70-140 is built with a special polished stainless steel ball, multi filled Teflon seats, stainless stem, and high temperature stem packing.

The valves are also suitable for many other varied applications including water column drain valves, pump suction stop valves and water gauge glass valves.

ADVANTAGES AND FEATURES

1. **Fast Full Opening:** The valve is a ball type valve which opens fully with only a quarter turn of the valve handle. The easy, fast opening feature has been an advantage in the type of blowdown recommended on Parker Boilers for thoroughly flushing the unit. It has a larger port area than most plug type valves or other ball valves which assures a more complete blowdown.
2. **Blow-Out Proof Stem:** The valve is built so that it is impossible for the stem to blow out the top of the valve.
3. **Maintenance Free:** This valve will provide reliable service without requiring costly maintenance, lubrication, or adjustment. No lubrication is required for life of the valve.
4. **Easy to Operate:** The design of the valve with the Teflon seats and smooth ball assures that it will remain exceptionally easy to operate while in service. The ball is machined to a micro-smooth finish and chrome plated or polished to assure free-turning and a self-cleaning action as the ball wipes clean when opened.
5. **Compact Size:** The valve is smaller in size than most boiler blow-off valves and can usually be screwed in the boiler blowdown line without having to disconnect piping when the boiler is installed on the floor.
6. **Two-Way Flow:** The valve is designed for flow in either direction to eliminate any danger of improper installation.
7. **Quality Construction:** The valve is constructed with a rugged brass body, ball, Teflon seats, stem seals and a vinyl insulated steel handle. The stuffing box has take-up to compensate for wear and the valve features an improved lever assembly with nut to hold securely.

NOTE:

The A.S.M.E. Code requires that the blow-off valve and water feed line stop valve on steam boilers be rated for a pressure at least 25% higher than the safety valve setting. For these services the CB70-100 Ball Valve, rated 157 PSI, may be used on boilers through 125 PSI working pressure and the CB70-140 Ball Valve, rated 250 PSI, on boilers through 200 PSI. For pressure above 100 PSI, a slow-opening blow-off valve is required in addition to the main fast-opening blow-off valve.

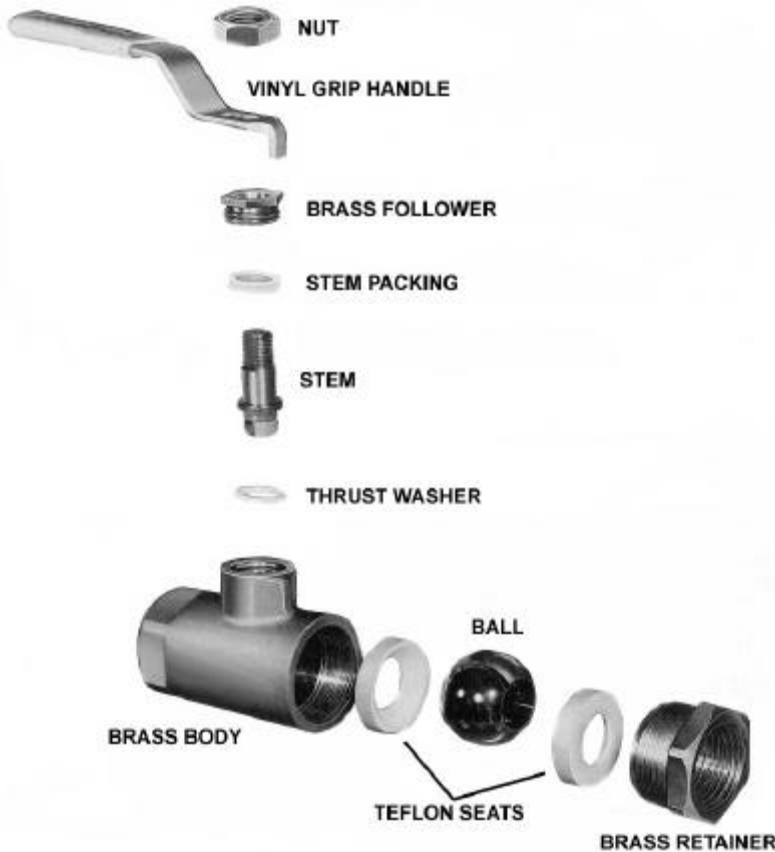
I. OPERATING INSTRUCTIONS:

This valve must be either "fully open" or "fully closed". Do not throttle with this valve. On complete blowdowns, let the boiler feed pump run 30 to 60 seconds after blowdown before closing the valve. If the valve does not close freely, do not force, but let the pump run longer to flush any foreign material through the valve to be sure it is clear to close freely. Always use caution to avoid touching the valve body and piping as they are very hot.

When this valve is used as the water feed line stop valve, never close the valve when the pump is operating as this will damage the pump.

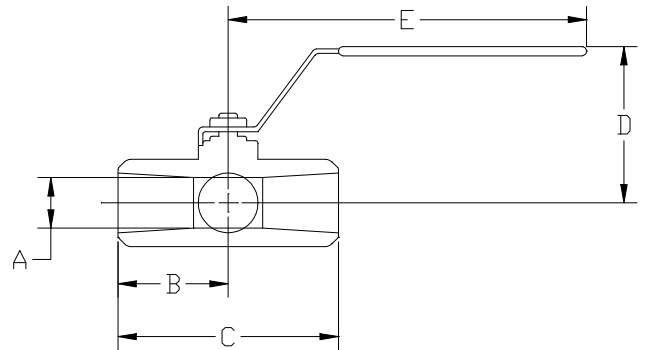
The CB 70 Ball Valve does not require lubrication, adjustment or maintenance.

II. VALVE DIMENSIONS & PARTS:



NOTE:

A special service kit is available for field repair of the valve. The kit includes: teflon stem packing, two teflon seats, and with 1 1/4 through 3" size, one teflon body seal.



SIZE	A	B	C	D	E	CV	70-100 157# SERVICE KIT	70-140 250# SERVICE KIT
1/4*	3/8	1-1/32	2-1/16	1-3/4	3-7/8	6.8	70-001-01	70-001-64
3/8*	3/8	1-1/32	2-1/16	1-3/4	3-7/8	6.8	70-002-01	70-002-64
1/2*	1/2	1-1/8	2-1/4	1-13/16	3-7/8	9.8	70-003-01	70-003-64
3/4*	11/16	1-1/2	3	2-1/8	4-7/8	25	70-004-01	70-004-64
1	7/8	1-11/16	3-3/8**	2-1/4	4-7/8	35	70-005-01	70-005-64
1-1/4	1	2	4	2-5/8	5-1/2	47	70-006-01	70-006-64
1-1/2	1-1/4	2-3/16	4-3/8	2-7/8	5-1/2	81	70-007-01	70-007-64
2	1-1/2	2-11/32	4-11/16	3-1/16	5-1/2	105	70-008-01	70-008-64
2-1/2	2-1/2	3-1/4	6-1/2	4-1/8	8	440	70-009-01	70-009-64
3	2-1/2	3-3/8	6-3/4	4-1/8	8	390	70-010-01	70-010-64

*Not available 70-100-C with pressure taps

**4-3/8" CB70-100-C with pressure taps